



# GIADA 18 POLISHED STAINLESS STEEL VERTICAL



**WARRANTY**  
**10 YEARS**

## RESTYLING

### MATERIAL:

- Horizontal collectors in polished stainless steel,  $\phi$  30 mm.
- Vertical elements in polished stainless steel  $\phi$  18 mm.

### FIXING KIT:

Brackets, airvent, hexagonal tool, plugs and screws for mounting suitable for use on compact or hollow brick, user notice.

### PACKAGING:

Carton angular and profiles protected by a recyclable film in polyethylene. User notice included.

### FEATURES:

It is totally made in stainless steel with an unalterable finishing guaranteed during the years.

### ACCESSORIES:

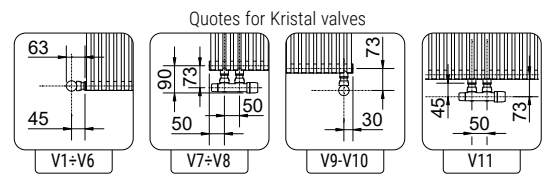
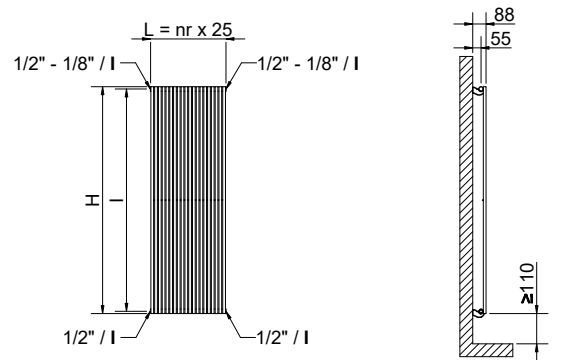
For the complete list, please refer to the accessories chapter.

Height H [mm]	400	500	600	800	1000	1200	1400	1500	1600
Therm. output per el. $\Delta T = 50^\circ\text{C}$ [Watt]	11,3	13,6	16	20,4	24,7	29	33,2	35,3	37,3
Therm. output per el. $\Delta T = 30^\circ\text{C}$ [Watt]	5,8	7,1	8,2	10,5	12,7	14,8	16,9	18	19
Dry Weight per section [kg]	0,211	0,252	0,294	0,378	0,462	0,546	0,630	0,672	0,714
Water content [lt]	0,110	0,130	0,151	0,191	0,231	0,271	0,311	0,332	0,352
Element surface [m <sup>2</sup> ]	0,027	0,033	0,039	0,050	0,061	0,073	0,084	0,090	0,095
Exp. n	1,3347	1,2889	1,2912	1,2958	1,3005	1,3079	1,3152	1,3189	1,3225
Pipe centres l [mm] (V3-V4 only)	370	470	570	770	970	1170	1370	1470	1570

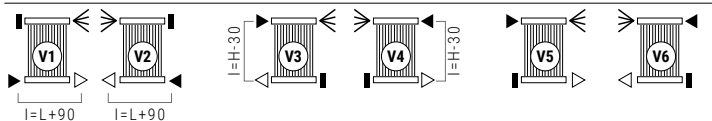
For output at different  $\Delta T$ , please refer to the following formula: desired output = output at  $\Delta T 50^\circ\text{C}$  x (desired  $\Delta T/50$ )<sup>n</sup>

Height H [mm]	1700	1800	1900	2000	2200	2300
Therm. output per el. $\Delta T = 50^\circ\text{C}$ [Watt]	39,4	41,5	43,6	45,7	49,8	51,9
Therm. output per el. $\Delta T = 30^\circ\text{C}$ [Watt]	20,1	21,1	22,2	23,2	25,3	26,5
Dry Weight per section [kg]	0,756	0,798	0,840	0,882	0,966	1,008
Water content [lt]	0,372	0,392	0,412	0,432	0,472	0,492
Element surface [m <sup>2</sup> ]	0,101	0,106	0,112	0,118	0,129	0,135
Exp. n	1,3231	1,3236	1,3241	1,3246	1,3257	1,2813
Pipe centres l [mm] (V3-V4 only)	1670	1770	1870	1970	2170	2270

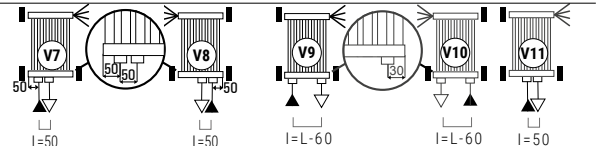
P. max: 8 bar      T. max: 110° C  
Functioning: hot water      Connections: n° 2 x 1/2" G - n° 1 da 1/8" G



### STANDARD CONNECTIONS WITHOUT SURCHARGE



### SPECIAL CONNECTIONS



LEGENDA:  $\blacktriangleright$  In     $\triangleright$  Out     $\triangleleft$  airvent    H Height    l pipe centres    L width     $\square$  connection     $\blacksquare$  welded cap

Always specify the kind of connection needed when ordering.  
Bidirectional pipe connection not available

### HOW TO ORDER THE RADIATOR GIADA 18 POLISHED STAINLESS STEEL VERTICAL

ARTICLE NR. STRUCTURE	Radiator model	Nr of Elements	Height in cm	Code of the connection	Art. nr. finishing:	Constant value
AAAA	BB	CCC	DDD	EEE	C	

EXAMPLE	Radiator model	Nr of Elements	Height in cm	Code of the connection	Art. nr. finishing:	Constant value
GI18	GIADA 18 vertical	24	140	V08	X01	C

### EXAMPLE OF ARTICLE CODE CREATION

In the case of a radiator:

**GI18** GIADA 18 VERTICAL

**24** 24 elements

**140** Height 1400 mm

**V08** connection V8

**X01** finishing: polished stainless steel

**C** (Constant value)

The article code will be:

**GI18 24 140 V08 X01 C**

### ACCESSORIES

<p><b>Kristal valve square with thermostatic option chromed</b></p> <p>Copper conn. <math>\phi</math> 12/14/15 Art. nr. 5991990311165</p> <p>Multilayer conn. <math>\phi</math> 16 Art. nr. 5991990311166</p>	<p><b>Kit 2 hooks polished stainless steel</b></p> <p>Art. nr. 5991990010216</p>	<p><b>Thermostatic head chromed</b></p> <p>(Kit 2 pieces)</p> <p>Art. nr. 5035270710015</p>
---	--	---

# GIADA 18 POLISHED STAINLESS STEEL VERTICAL

INOX RANGE

Height H [mm]		400	500	600	800	1000	1200	1400	1500	1600
Width L [mm]	N° El.	Watt $\Delta t=50^{\circ}\text{C}$	Watt $\Delta t=50^{\circ}\text{C}$	Watt $\Delta t=50^{\circ}\text{C}$	Watt $\Delta t=50^{\circ}\text{C}$	Watt $\Delta t=50^{\circ}\text{C}$	Watt $\Delta t=50^{\circ}\text{C}$	Watt $\Delta t=50^{\circ}\text{C}$	Watt $\Delta t=50^{\circ}\text{C}$	Watt $\Delta t=50^{\circ}\text{C}$
125	5	57	68	80	102	124	145	166	177	187
150	6	68	82	96	122	148	174	199	212	224
175	7	79	95	112	143	173	203	232	247	261
200	8	90	109	128	163	198	232	266	282	298
225	9	102	122	144	184	222	261	299	318	336
250	10	113	136	160	204	247	290	332	353	373
275	11	124	150	176	224	272	319	365	388	410
300	12	136	163	192	245	296	348	398	424	448
325	13	147	177	208	265	321	377	432	459	485
350	14	158	190	224	286	346	406	465	494	522
375	15	170	204	240	306	371	435	498	530	560
400	16	181	218	256	326	395	464	531	565	597
425	17	192	231	272	347	420	493	564	600	634
450	18	203	245	288	367	445	522	598	635	671
475	19	215	258	304	388	469	551	631	671	709
500	20	226	272	320	408	494	580	664	706	746
525	21	237	286	336	428	519	609	697	741	783
550	22	249	299	352	449	543	638	730	777	821
575	23	260	313	368	469	568	667	764	812	858
600	24	271	326	384	490	593	696	797	847	895
625	25	283	340	400	510	618	725	830	883	933
650	26	294	354	416	530	642	754	863	918	970
675	27	305	367	432	551	667	783	896	953	1007
700	28	316	381	448	571	692	812	930	988	1044
725	29	328	394	464	592	716	841	963	1024	1082
750	30	339	408	480	612	741	870	996	1059	1119
775	31	350	422	496	632	766	899	1029	1094	1156
800	32	362	435	512	653	790	928	1062	1130	1194
825	33	373	449	528	673	815	957	1096	1165	1231
850	34	384	462	544	694	840	986	1129	1200	1268
875	35	396	476	560	714					
900	36	407	490	576	734					
925	37	418	503	592	755					
950	38	429	517	608	775					
975	39	441	530	624	796					
1000	40	452	544	640	816					
1050	42	475	571	672	857					
1100	44	497	598	704	898					

All intermediate sizes are available for heights from 400 to 2300 mm

Height H [mm]		1700	1800	1900	2000	2200	2300
Width L [mm]	N° El.	Watt $\Delta t=50^{\circ}\text{C}$	Watt $\Delta t=50^{\circ}\text{C}$	Watt $\Delta t=50^{\circ}\text{C}$	Watt $\Delta t=50^{\circ}\text{C}$	Watt $\Delta t=50^{\circ}\text{C}$	Watt $\Delta t=50^{\circ}\text{C}$
125	5	197	208	218	229	249	260
150	6	236	249	262	274	299	311
175	7	276	291	305	320	349	363
200	8	315	332	349	366	398	415
225	9	355	374	392	411	448	467
250	10	394	415	436	457	498	519
275	11	433	457	480	503	548	571
300	12	473	498	523	548	598	623
325	13	512	540	567	594	647	675
350	14	552	581	610	640	697	727
375	15	591	623	654	686	747	779
400	16	630	664	698	731	797	830
425	17	670	706	741	777	847	882
450	18	709	747	785	823	896	934
475	19	749	789	828	868	946	986
500	20	788	830	872	914	996	1038
525	21	827	872	916	960	1046	1090
550	22	867	913	959	1005	1096	1142
575	23	906	955	1003	1051	1145	1194
600	24	946	996	1046	1097	1195	1246
625	25	985	1038	1090	1143	1245	1298
650	26	1024	1079	1134	1188	1295	1349
675	27	1064	1121	1177	1234	1345	1401
700	28	1103	1162	1221	1280	1394	1453
725	29	1143	1204	1264	1325	1444	1505
750	30	1182	1245	1308	1371	1494	1557
775	31	1221	1287	1352	1417	1544	1609
800	32	1261	1328	1395	1462	1594	1661
825	33	1300	1370	1439	1508	1643	1713
850	34	1340	1411	1482	1554	1693	1765

ARDESIA®

TOWEL RAILS

ELECTRIC

STAINLESS STEEL

RADIATORS

VENTILATION RADIATORS

MYWAY® ACCESSORIES AND TECHNICAL SUPPORT