



# CLAUDIA® WIDE

WARRANTY  
**5 YEARS**

#### MATERIAL:

- Vertical collectors in painted mild steel semi oval 30x40 mm.
- Horizontal heating elements in painted mild steel ø 25 mm.

#### FIXING KIT:

Brackets, airvent, hexagonal tool, plugs and screws for mounting suitable for use on compact or hollow brick, user notice.

The kit is certified from TÜV in compliance with VDI 6036 - class 4.

#### PACKAGING:

Carton angular and profiles protected by a recyclable film in polyethylene. User notice included.

#### PAINTING PROCESS:

Painted with ecological epoxy powders (Certificate DIN 55900-1,-2).

#### COLOURS:

See colour chart.

#### ACCESSORIES:

For the complete list, please refer to the accessories chapter.

#### AVAILABLE FUNCTIONS:

- Hot water
- Dual energy

P. max: 8 bar

Functioning: hot water

T. max: 110° C

Connections: n° 2 x 1/2" G - 1 x 1/2" G

## CERTIFICATES



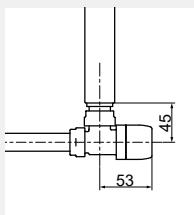
## ACCESSORIES

#### Kristal valve square with thermostatic option white R01



Copper conn. Ø 12/14/15  
Art. nr. 5991990311161

Multilayer conn. Ø 16  
Art. nr. 5991990311160



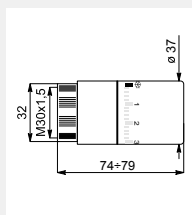
Quotes for square Kristal valves with thermostatic option

#### Thermostatic head white



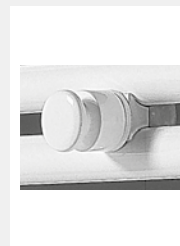
(Kit 2 pieces)

Art. nr. 5035270710016



Thermostatic head quotes

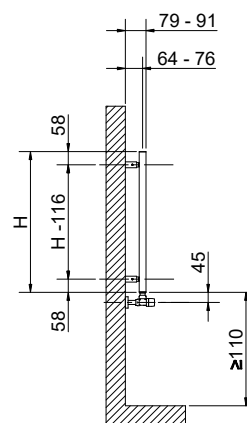
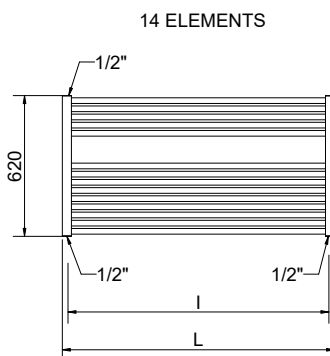
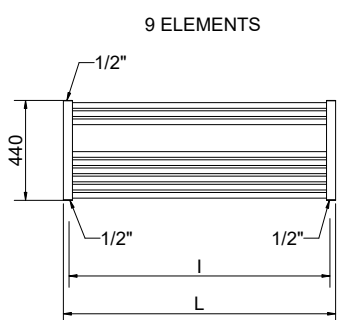
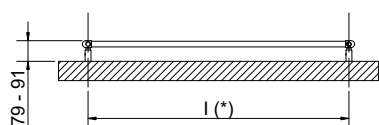
#### Kit 2 hooks white R01



Art. nr. 5991990310028

*If ordered separately from the radiator, the accessories are available in standard white only*

*Art. nr. are referred to colour WHITE R01*



(\*) The fixing kit has the same pipe centre (l) as the radiator

Quotes for Kristal valves

## CLAUDIA® WIDE

Height [mm]	Width L [mm]	Pipe centres l [mm]	Art. nr.	Dry Weight [Kg]	Surface [m <sup>2</sup> ]	Water content [lt]	Thermal output [Watt]		Exp. n	Dual energy kit [Watt]
							$\Delta t=50^{\circ}\text{C}$	$\Delta t=30^{\circ}\text{C}$		
<b>440</b>	1200	1150	3551356100101	6,1	0,903	5,1	471	261	1,155	400
	1400	1350	3551356100103	6,9	1,045	5,9	558	311	1,145	400
<b>620</b>	1200	1150	3551356100102	9,3	1,389	7,9	712	390	1,176	700
	1400	1350	3551356100104	10,6	1,609	9,1	837	457	1,183	700

Art. nr. are referred to colour WHITE R01

For output at different  $\Delta T$ , please refer to the following formula: desired output = output at  $\Delta T$  50 x (desired  $\Delta t/50$ )<sup>n</sup>