



CLAUDIA® ELITE

WARRANTY
5 YEARS

MATERIAL:

- Vertical collectors in painted mild steel semi oval 30x40 mm.
- Horizontal heating elements in painted mild steel \varnothing 25 mm.

FIXING KIT:

Brackets, airvent, hexagonal tool, plugs and screws for mounting suitable for use on compact or hollow brick, user notice.

The kit is certified from TÜV in compliance with VDI 6036 - class 4.

PACKAGING:

The radiator is protected by recyclable carton box. User notice included.

PAINTING PROCESS:

Painted with ecological epoxy powders (Certificate DIN 55900-1,-2).

COLOURS:

Claudia® Elite radiator is available on request in all the colours from the chart at page 486.

ACCESSORIES:

Claudia® Elite radiator includes a pair of hooks in the same colour of the radiator and coloured Kristal valves kit, complete with fittings for copper (\varnothing 12/14/15) and multilayer (\varnothing 16).

AVAILABLE FUNCTIONS:

- Hot water
- Dual energy

P. Max: 8 bar

Functioning: hot water

T. Max: 110° C

Connections: n° 2 x 1/2" G - 1 x 1/2" G

CERTIFICATES



ACCESSORIES INCLUDED

COMPLETE COLOURED VALVE KIT INCLUDED FOR COPPER CONNECTION \varnothing 12-14-15 AND MULTILAYER CONNECTION \varnothing 16

COLOURED 2 HOOKS KIT INCLUDED

COLOURED FIXING KIT INCLUDED

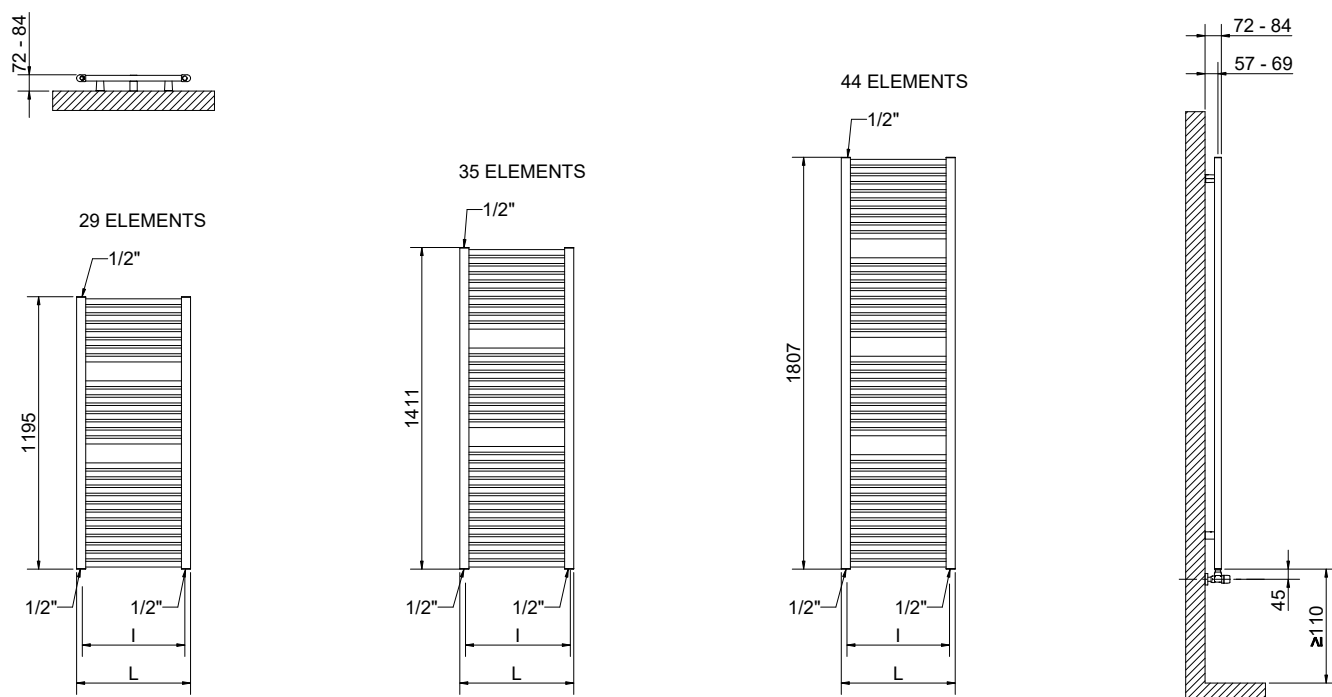
Quotes for square Kristal valves with thermostatic option

If ordered separately from the radiator, the accessories are available in standard white only

ACCESSORIES ON DEMAND

Pair of polished tube cover kit

Art. nr. 5103000000061



Quotes for Kristal valves

CLAUDIA® ELITE

Height [mm]	Width L [mm]	Pipe centres l [mm]	Dry Weight [Kg]	Surface [m ²]	Water content [l]	Thermal output [Watt]		Exp. n	Dual energy kit [Watt]
						Δt=50°C	Δt=30°C		
1195	450	400	8,6	1,146	6,8	534	281	1,2551	500
	500	450	9,3	1,26	7,4	595	314	1,2488	600
	600	550	10,6	1,488	8,7	716	380	1,2395	700
1411	450	400	10,2	1,375	8,2	648	341	1,2583	600
	500	450	11,1	1,513	8,9	719	380	1,2498	700
	600	550	12,7	1,788	10,4	862	458	1,2371	900
1807	450	400	13	1,73	10,3	821	431	1,2631	700
	500	450	14	1,91	11,3	907	479	1,2513	900
	600	550	16,1	2,25	13,2	1077	574	1,2336	1000

Claudia® Elite radiator includes a pair of hooks in the same colour of the radiator and coloured Kristal valves kit, complete with fittings for copper and multilayer.

For output at different ΔT, please refer to the following formula: **desired output = output at ΔT 50 x (desired Δt/50)ⁿ**

To order Claudia® Elite you just need to choose size and colour.