



# CLAUDIA® CURVED

WARRANTY  
**5 YEARS**

**MATERIAL:**

- Vertical collectors in painted mild steel semi oval 30x40 mm.
- Curved horizontal heating elements in painted mild steel ø 25 mm.

**FIXING KIT:**

Brackets, airvent, hexagonal tool, plugs and screws for mounting suitable for use on compact or hollow brick, user notice.

The kit is certified from TÜV in compliance with VDI 6036 - class 4.

**PACKAGING:**

The radiator is protected by recyclable carton box. User notice included.

**PAINTING PROCESS:**

Painted with ecological epoxy powders (Certificate DIN 55900-1,-2).

**COLOURS:**

See colour chart.

**ACCESSORIES:**

For the complete list, please refer to the accessories chapter.

AVAILABLE FUNCTIONS:

- Hot water
- Dual energy

P. max: 8 bar

Functioning: hot water

T. max: 110° C

Connections: n° 2 x 1/2" G - 1 x 1/2" G

## CERTIFICATES



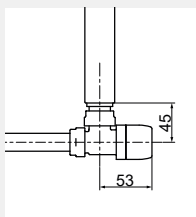
## ACCESSORIES

**Kristal valve square  
with thermostatic option  
white R01**



Copper conn. Ø 12/14/15  
Art. nr. 5991990311161

Multilayer conn. Ø 16  
Art. nr. 5991990311160



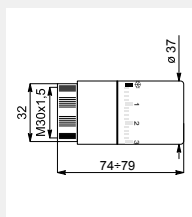
Quotes for square Kristal valves with thermostatic option

**Thermostatic head  
white**



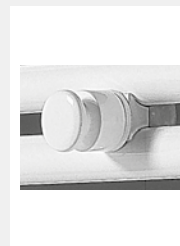
(Kit 2 pieces)

Art. nr. 5035270710016



Thermostatic head quotes

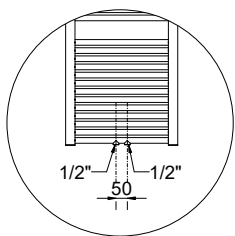
**Kit 2 hooks  
white R01**



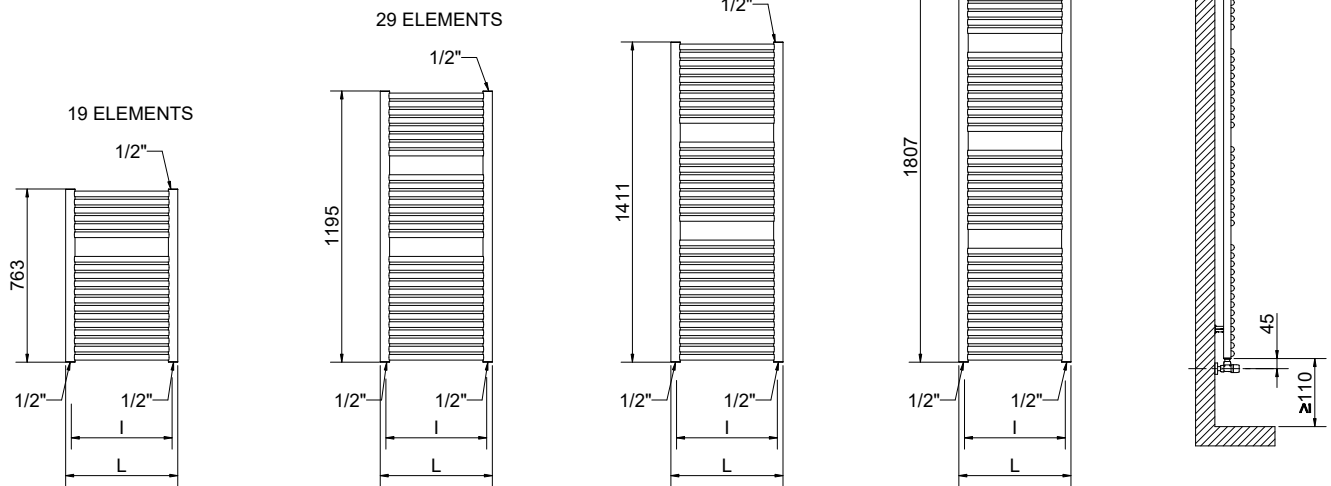
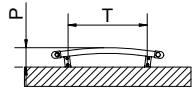
Art. nr. 5991990310028

*If ordered separately from the radiator, the accessories are available in standard white only*

*Art. nr. are referred to colour WHITE R01*



Detail of the pipe centres 50 mm version



Quotes for Kristal valves

## CLAUDIA® CURVED

| Height [mm] | Width L [mm] | Pipe centres l [mm] | Art. nr.      | Pipe centres 50 mm |        | Thermal output [Watt] |        |                 |                           |                    | Dual energy kit [Watt] |         |         |        |
|-------------|--------------|---------------------|---------------|--------------------|--------|-----------------------|--------|-----------------|---------------------------|--------------------|------------------------|---------|---------|--------|
|             |              |                     |               | Art. nr.           | P [mm] | S [mm]                | T [mm] | Dry Weight [Kg] | Surface [m <sup>2</sup> ] | Water content [lt] |                        | Δt=50°C | Δt=30°C | Exp. n |
| <b>763</b>  | 450          | 397                 | 3551546100031 | 3551546101031      | 85     | 52                    | 270    | 5,5             | 0,746                     | 4,4                | 368                    | 194     | 1,2501  | 300    |
|             | 500          | 445                 | 3551546100034 | 3551546101034      | 90     | 52                    | 320    | 6,0             | 0,821                     | 4,8                | 408                    | 216     | 1,2419  | 400    |
|             | 550          | 494                 | 3551546100037 | 3551546101037      | 90     | 46                    | 320    | 6,5             | 0,895                     | 5,2                | 448                    | 238     | 1,2353  | 400    |
|             | 600          | 547                 | 3551546100040 | 3551546101040      | 90     | 57                    | 450    | 6,9             | 0,970                     | 5,7                | 492                    | 263     | 1,2292  | 500    |
|             | 750          | 696                 | 3551546100043 | 3551546101043      | 100    | 55                    | 590    | 8,3             | 1,194                     | 6,9                | 615                    | 330     | 1,2170  | 600    |
| <b>1195</b> | 450          | 397                 | 3551546100032 | 3551546101032      | 85     | 52                    | 270    | 8,6             | 1,146                     | 6,8                | 557                    | 294     | 1,2476  | 500    |
|             | 500          | 445                 | 3551546100035 | 3551546101035      | 90     | 52                    | 320    | 9,3             | 1,260                     | 7,4                | 617                    | 327     | 1,2422  | 600    |
|             | 550          | 494                 | 3551546100038 | 3551546101038      | 90     | 46                    | 320    | 9,9             | 1,374                     | 8,1                | 676                    | 359     | 1,2379  | 700    |
|             | 600          | 547                 | 3551546100041 | 3551546101041      | 90     | 57                    | 450    | 10,6            | 1,488                     | 8,7                | 742                    | 395     | 1,2339  | 700    |
|             | 750          | 696                 | 3551546100044 | 3551546101044      | 100    | 55                    | 590    | 12,7            | 1,830                     | 10,6               | 923                    | 493     | 1,2258  | 900    |
| <b>1411</b> | 450          | 397                 | 3551546100049 | 3551546101049      | 85     | 52                    | 270    | 10,2            | 1,375                     | 8,2                | 669                    | 354     | 1,2461  | 700    |
|             | 500          | 445                 | 3551546100050 | 3551546101050      | 90     | 52                    | 320    | 11,1            | 1,513                     | 8,9                | 742                    | 393     | 1,2424  | 700    |
|             | 550          | 494                 | 3551546100051 | 3551546101051      | 90     | 46                    | 320    | 11,9            | 1,650                     | 9,7                | 813                    | 432     | 1,2394  | 700    |
|             | 600          | 547                 | 3551546100052 | 3551546101052      | 90     | 57                    | 450    | 12,7            | 1,788                     | 10,4               | 892                    | 474     | 1,2366  | 900    |
|             | 750          | 696                 | 3551546100053 | 3551546101053      | 100    | 55                    | 590    | 15,3            | 2,200                     | 12,7               | 1111                   | 592     | 1,2311  | 1000   |
| <b>1807</b> | 450          | 397                 | 3551546100033 | 3551546101033      | 85     | 52                    | 270    | 13,0            | 1,730                     | 10,3               | 835                    | 442     | 1,2439  | 700    |
|             | 500          | 445                 | 3551546100036 | 3551546101036      | 90     | 52                    | 320    | 14,0            | 1,910                     | 11,3               | 928                    | 492     | 1,2427  | 900    |
|             | 550          | 494                 | 3551546100039 | 3551546101039      | 90     | 46                    | 320    | 15,1            | 2,083                     | 12,2               | 1019                   | 540     | 1,2417  | 1000   |
|             | 600          | 547                 | 3551546100042 | 3551546101042      | 90     | 57                    | 450    | 16,1            | 2,250                     | 13,2               | 1121                   | 595     | 1,2408  | 1000   |
|             | 750          | 696                 | 3551546100045 | 3551546101045      | 100    | 55                    | 590    | 19,3            | 2,774                     | 16,0               | 1402                   | 745     | 1,2390  | 1200   |

Art. nr. are referred to colour WHITE R01

For output at different ΔT, please refer to the following formula: desired output = output at ΔT 50 x (desired Δt/50)<sup>n</sup>