

# COMPRESSED AIR RECEIVERS **P.E.D. VT 11-15 BAR**

## COMPRESSED AIR / NITROGEN RECEIVERS (DIRECTIVE 2014/68/UE - P.E.D.)

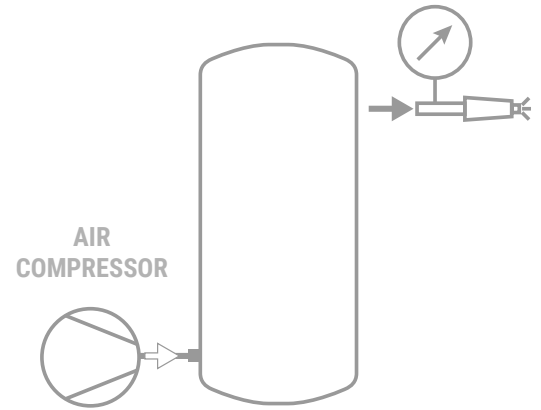


**CE**

WORKING TEMPERATURE

Tmax

-10/+100 °C



### TECHNICAL DESCRIPTION

Compressed air receivers allows to extract more air than the quantity produced by compressor, this without causing an under-pressure in the unit.

Built in mild steel, either painted, galvanized and painted with internal Polywarm® coating according to D.M. nr. 174 dated 06/04/2004.

### APPLICATION

Storage and distribution of compressed air.

### MATERIAL

- Painted mild steel (standard colour RAL 5002-Blue). Other colours on demand: RAL 5015 - Light Blue / RAL 3000 - Red / RAL 1021 - Yellow
- Galvanized mild steel.
- Painted mild steel version with internal Polywarm® coating.

### DOCUMENTS ATTACHED

- CE certification - User Instructions

### CERTIFICATIONS

Compressed air receivers are produced according to European Directive 2014/29/CE for items with a "volume x pressure" minor than 10.000 Bar x Liter. These tanks are marked CE under the monitoring of an external control agency.

- Liquid in pressure: air
- Liquid group: 2
- Maximum working pressure: (See tab)
- Temperature: -10/+100°C

GALVANIZED / PAINTED



2014/68/CE-P.E.D.

### VERTICAL COMPRESSED AIR RECEIVER

Model	Pressure [Bar]	Galvanized	PAINTED - RAL 5002 BLUE (*)
		Art. Nr.	Art. Nr.
<b>100</b>	<b>11</b>	3053171990101	3053172240110
<b>200</b>		3053171990102	3053172240111
<b>270</b>		3053171990103	3053172240112
<b>500</b>		3053171990104	3053172240113
<b>710</b>		3053171990105	3053172240114
<b>900</b>	<b>15</b>	3053171990106	3053172240115
<b>200</b>		3053171990107	3053172240116
<b>270</b>		3053171990108	3053172240117
<b>500</b>		3053171990109	3053172240118



(\*) Other colours on demand:

RAL 5015 Light Blue / RAL 3000 Red / RAL 1021 Yellow

FOOD INTERNAL COATING



(\*) Other colours on demand:

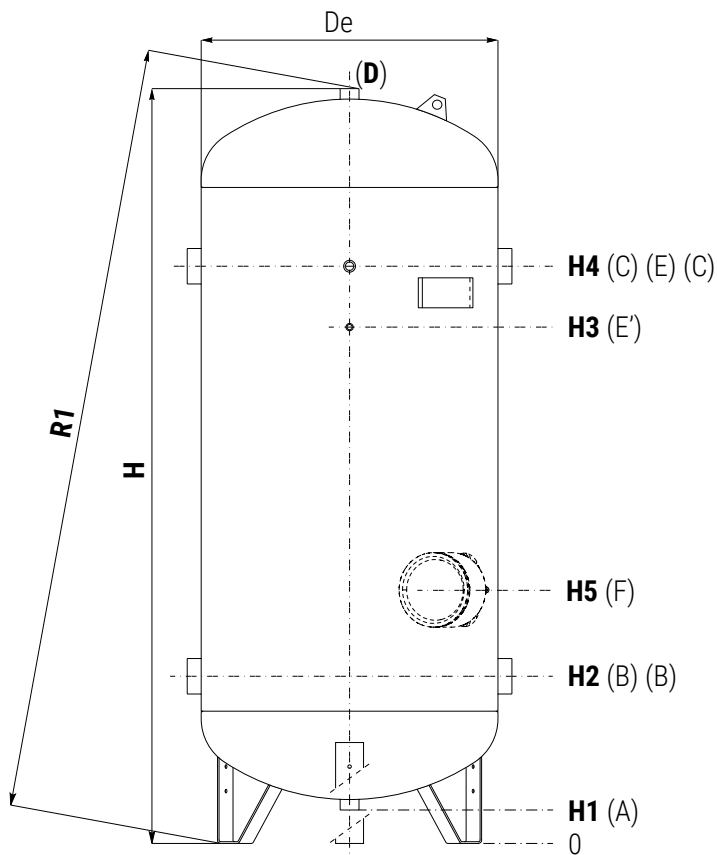
RAL 5015 Light Blue / RAL 3000 Red / RAL 1021 Yellow

### VERTICAL COMPRESSED AIR RECEIVER - POLYWARM® (2014/68/CE-P.E.D.)

Model	Pressure [Bar]	PAINTED RAL 5002 BLUE (*)	FOOD INTERNAL COATING
		<b>100</b>	
<b>200</b>	<b>11</b>		
<b>270</b>			
<b>500</b>			<b>on request</b>
<b>710</b>			
<b>900</b>			
<b>270</b>	<b>15</b>		
<b>200</b>			<b>on request</b>
<b>500</b>			

# COMPRESSED AIR RECEIVERS **P.E.D. VT 11-15 BAR**

COMPRESSED AIR / NITROGEN RECEIVERS (DIRECTIVE 2014/68/UE - P.E.D.)



<b>A</b>	Drain
<b>B</b>	Air inlet
<b>C</b>	Air outlet
<b>D</b>	Safety Valve
<b>E-E'</b>	Instrumentation
<b>F</b>	Manhole / handhole (on request)

Model	Working Pressure [bar]	De	H	R1	H1 [mm]	H2	H3	H4	A-D	B-C	Connections F	
											E	E'
<b>100</b>	<b>11</b>	400	1105	1125	145	380	790	870	2"	1"	3/8"	3/8"
<b>200</b>		450	1470	1490	145	385	1125	1225	2"	1"	3/8"	3/8"
<b>270</b>		500	1760	1780	150	410	1330	1450	2"	1"	3/8"	3/8"
<b>500</b>		650	1850	1870	170	485	1285	1485	2"	2"	3/8"	3/4"
<b>710</b>		790	1900	1930	135	585	1360	1460	2"	2"	3/8"	3/4"
<b>900</b>		790	2130	2160	145	490	1390	1590	2"	2"	3/8"	3/4"
<b>200</b>	<b>15</b>	450	1470	1490	145	385	1125	1225	2"	1"	3/8"	3/8"
<b>270</b>		500	1760	1780	150	410	1330	1450	2"	1"	3/8"	3/8"
<b>500</b>		650	1850	1870	170	485	1285	1485	2"	2"	3/8"	3/4"