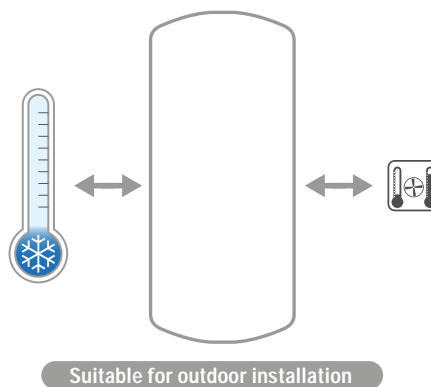


# CHILLED WATER STORAGE TANK - STAINLESS STEEL 304 XB

## VERTICAL STAINLESS STEEL 304 CHILLED WATER TANK



PRESSURE	TEMPERATURE
Pmax	Tmax
6 bar	-30 / +60 °C



### TECHNICAL DESCRIPTION

The chilled water accumulation tanks are designed to be installed in air conditioning systems to increase inertia and in those with low water content, to minimize the number of hourly starts of the refrigeration unit to save its duration

### MATERIAL

Stainless steel 304

### EXTERNAL LINING

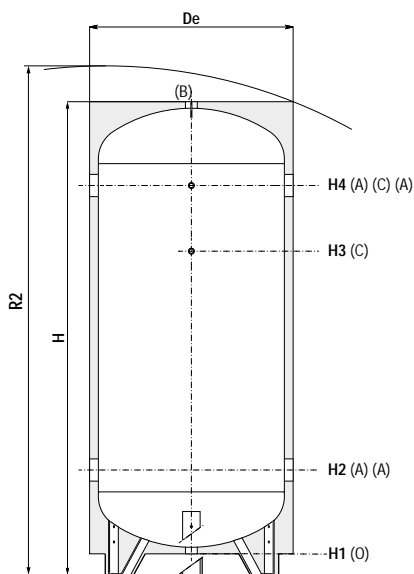
Galvanized and painted metallic cover.

### INSULATION

High thermal insulation with ecological polyurethane hard foam.

### WARRANTY

2 years-See general sales conditions and warranty.

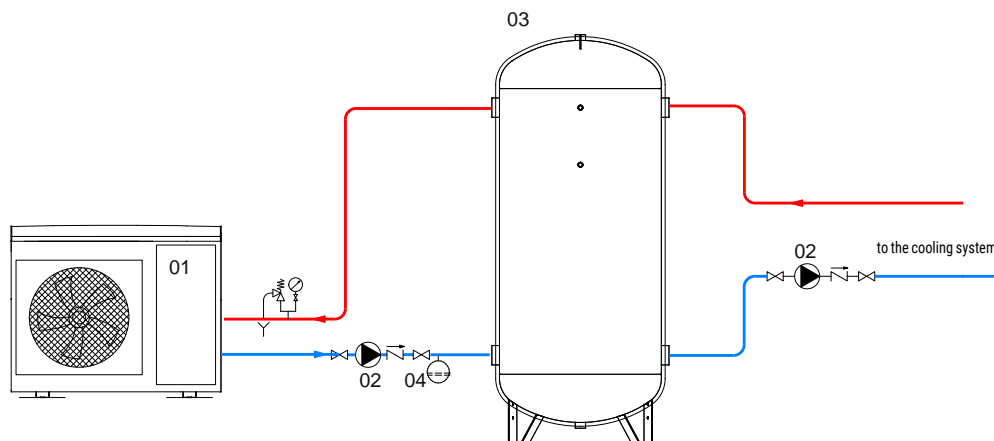


### ACQ. REF. XB 20 VT

Model	Art. Nr.
<b>100</b>	3001012310001
<b>200</b>	3001012310002
<b>300</b>	3001012310003
<b>500</b>	3001012310004
<b>800</b>	3001012310005
<b>1000</b>	3001012310006

- A** To the System
- B** Safety Valve
- C** Connection for instrumentation 1/2" F
- O** Drain

Model	Weight [Kg]	Volume [lt]	De	H	R2	H1	H2	H3	H4	B-O	A	C
												Connections F
<b>100</b>	27	100	450	1006	1110	85	296	601	801	1"1/4	1"1/2	1/2"
<b>200</b>	40	188	500	1407	1505	80	301	931	1181	1"1/4	1"1/2	1/2"
<b>300</b>	51	289	610	1515	1640	69	336	926	1176	1"1/4	2"	1/2"
<b>500</b>	87	495	730	1803	1955	58	370	1170	1420	1"1/4	3"	1/2"
<b>800</b>	121	788	830	2110	2275	116	458	1458	1758	1"1/4	3"	1/2"
<b>1000</b>	140	1036	930	2160	2360	102	480	1480	1780	1"1/2	3"	1/2"



- 01** Generator
- 02** Air conditioning system circulation group
- 03** Chilled water tank
- 04** Expansion vessel