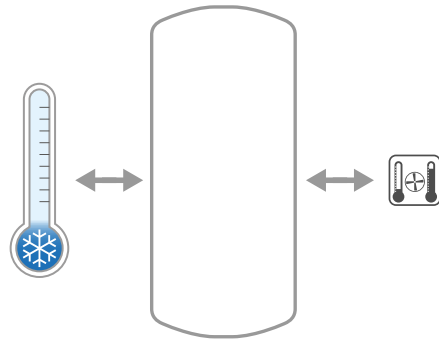


CHILLED WATER STORAGE TANK GALVANIZED ZC 20 VT

VERTICAL GALVANIZED CHILLED WATER TANK



PRESSURE	TEMPERATURE
Pmax 6 bar	Tmax -10 / +60 °C



APPLICATION AND TECHNICAL DESCRIPTION

Storage of chilled water for cooling systems. Vertical inertial water tanks are used to increase the thermal inertia and, for those installations with a low water-capacity, to avoid that the chiller is continuously working. These tanks are made in galvanized mild steel.

EXTERNAL LINING

Blue PVC with plastic black caps for connections.

MATERIAL

These tanks are galvanized inside and outside, with immersion in a pool of fused zinc with pureness not below 99,99% (Uni EN 1179).

INSULATION

20 mm fixed polyethylene anti-condensation. Not self-extinguishing version. Not removable from the tank.

WARRANTY

2 years-See general sales conditions and warranty.

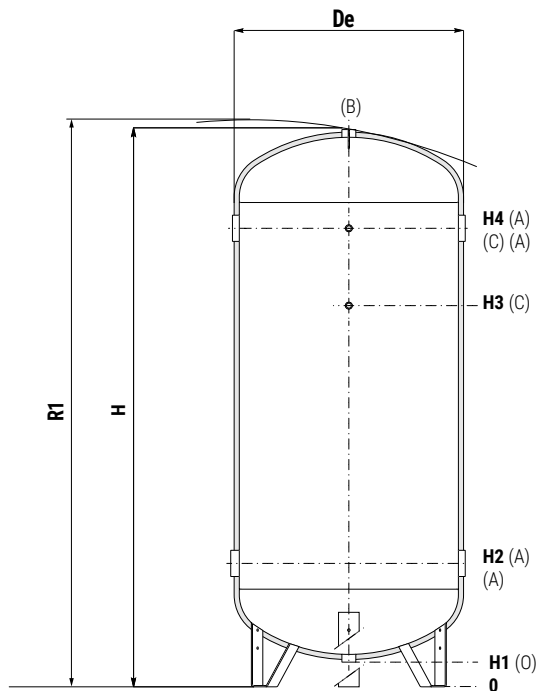


ACQ. REF. ZC 20 VT

(INSULATION 20 mm
Not self-extinguishing)

Model

Art. Nr.	
100	3001162130001
200	3001162130002
300	3001162130003
500	3001162130004
800	3001162130005
1000	3001162130006
1500	3001162130107
2000	3001162130108
2500	3001162130113
3000	3001162130109
4000	3001162130110
5000	3001162130112



- A** To the System
- B** Safety Valve
- C** Connection for instrumentation 1/2" F
- O** Drain

Model	Weight	Volume	DE	H	R1	H1	H2	H3	H4	B-O	A	C
	[Kg]	[lt]										
100	32	101	440	1006	1017	73	287	592	792	1"1/4	1"1/2	1/2"
200	53	190	490	1407	1415	68	297	927	1177	1"1/4	1"1/2	1/2"
300	67	292	590	1518	1529	129	404	994	1244	1"1/4	2"	1/2"
500	101	501	690	1810	1821	121	441	1241	1491	1"1/4	3"	1/2"
800	147	788	790	2108	2119	108	458	1458	1758	1"1/4	3"	1/2"
1000	170	1034	890	2162	2178	96	479	1479	1779	1"1/2	3"	1/2"
1500	183	1432	990	2351	2386	121	490	1700	2000	2"	3"	1/2"
2000	219	1970	1140	2421	2437	105	509	1719	2019	2"	3"	1/2"
2500	274	2300	1290	2289	2304	149	619	1519	1819	2"	4"	1/2"
3000	321	2908	1290	2804	2826	149	619	1919	2319	2"	4"	1/2"
4000	442	3749	1440	2878	2904	133	648	1948	2348	2"	4"	1/2"
5000	565	4964	1640	2916	2948	111	656	1956	2356	2"	4"	1/2"

