



# ARDESIA<sup>®</sup> ELECTRIC



**EUROPEAN  
WARRANTY**

**MATERIAL:**

- Moulded heads in mild steel.
- Electro-welded mild steel tubes  $\varnothing$  25 mm.
- Heat transfer fluid.

**PACKAGING:**

The radiator is protected by recyclable carton box. User notice included.

**FIXING KIT:**

Universal rapid safety kit and user notice included.  
The kit is certified from TÜV in compliance with VDI 6036 - class 3.

**PAINTING PROCESS:**

Painted with ecological epoxy powders (Certificate DIN 55900-1,-2).

**COLOURS:**

Radiator and accessories: available only in standard white colour RAL 9010-R01.

**ACCESSORIES:**

For the complete list, please refer to the accessories chapter.

Class protection: CLASS 2

Minimum ingress protection: IP 22

Wire length: 1200 mm with Schuko plug

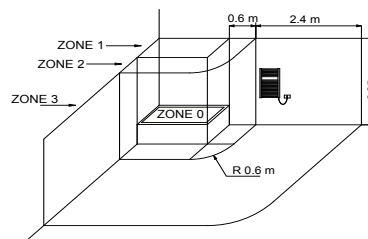
Power supply: 230Vac 50Hz

Seasonal energy efficiency  $\eta_s$ : 39%

## CERTIFICATES



## HOW TO PLACE ELECTRIC RADIATORS



The national rules on installing electrical equipment in the bathroom must be scrupulously respected. The electric radiators must be always installed outside zone 1 and 2.

In particular the electric switch and control elements must be mandatorily located in zone 3, in order that no electrical control center is accessible to a anyone using the shower or bath.



All Cordivari electric radiators are in line with the new European regulation UE 2015/1188. The new regulation imposes a seasonal energy efficiency of electrical appliances for ambient heating with a nominal thermal output over 250 W and not less than 38%. Each of the ErP electric radiator is equipped with at least electronic temperature control, window opening detection and weekly programmer.

## INCLUDED

**Universal rapid safety kit**



Pair of wall ties fixing kit  
colour white

## ACCESSORIES

**Kit 2 hooks**



WHITE  
Art. nr. 5991990310375

CHROMED  
Art. nr. 5991990310376

*If ordered separately from the radiator, the accessories are available in standard white only*

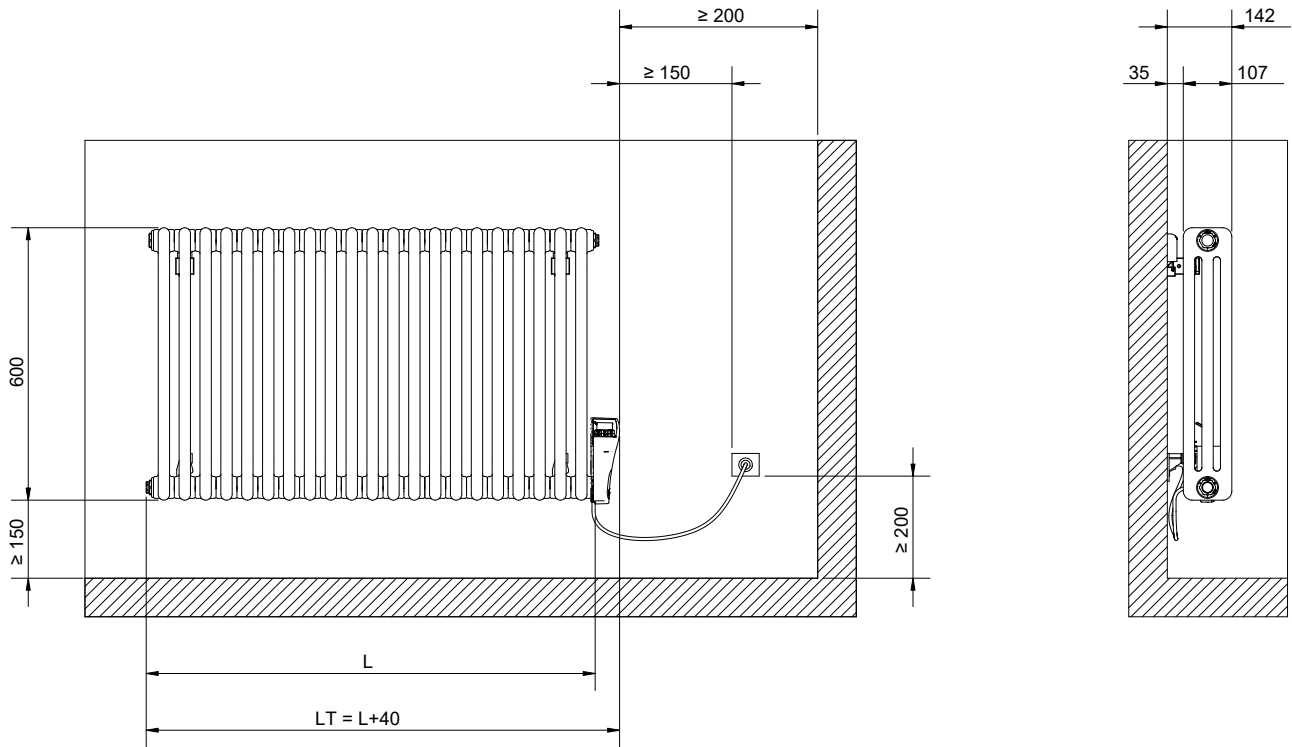
*Art. nr. are referred to colour WHITE R01*

**Infrared remote control**



Remote control of digital chrono-thermostat functioning.

Art. nr. 5150990000002



## ARDESIA® ELECTRIC

Height [mm]	Width L [mm]	N° Elements	N° Columns	Art. nr.	Output [Watt]	Weight [kg]
600	338	7	3	3586706100001	400	16
	384	8	3	3586706100002	500	18
	568	12	3	3586706100003	750	27
	614	13	3	3586706100004	900	30
	706	15	3	3586706100005	1000	34
	798	17	3	3586706100006	1200	39
	982	21	3	3586706100007	1500	48
	1120	24	3	3586706100008	2000	55

Art. nr. are referred to colour WHITE R01

## PROGRAMMABLE DIGITAL THERMOSTAT WITH DAILY AND WEEKLY FUNCTION

### Comfort Mode:

Main function used to maintain the comfort temperature

### Night mode:

Function to maintain an appropriate temperature at night

### Antifreeze mode:

Function that ensures the antifreeze protection of the radiator when the ambient temperature falls below 7 °C

### Chrono Mode:

Functioning according to an operating program set by the user

### ECO mode:

Energy saving function that lowers the temperature of all the settings of the radiator by 3 °C

### Vacation mode:

Function that excludes all the programming and user settings, except the anti-freeze

safety, for a period of time set by the user

### Child safety and key lock:

Function that protects the appliance from improper or involuntary actions and settings

### ASC adaptive self-learning system:

According to an adaptive self-learning algorithm, this function provides for reaching the desired room temperature at the times set by the user.

### Open window detection system:

Function that provides for the deactivation of the radiator, for a maximum of 30 minutes, if the opening of a window in the room is detected

### Consumption indicator

The consumption indicator indicates the electric absorption level and therefore the consumption of the appliance, helping the user to define the ideal operating mode of the radiator in an energy saving perspective.

CLASS PROTECTION	Class II
MIN. INGRESS PROTECTION	IP22
THERMOSTAT COLOUR	White
WIRE COLOUR	White
RANGE OF SETTABLE TEMPERATURES	7 ÷ 32 °C
POWER SUPPLY	230 Vac - 50Hz
WIRE LENGHT:	900 mm with Schuko plug

