

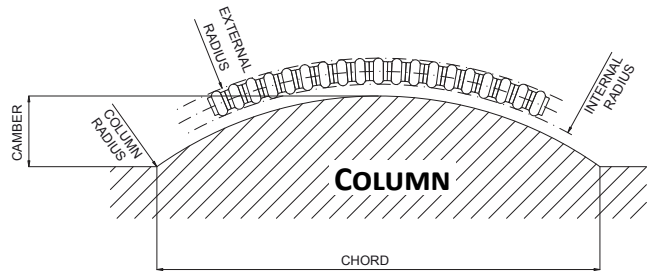
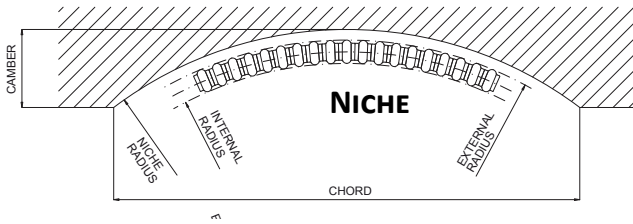


ARDESIA® SPECIAL EXECUTIONS

WARRANTY
5 YEARS

ARDESIA® CURVED

Among all special executions, the Ardesia Curved model is the ideal solution for the installation around a column or within a wall niche. Curved batteries are realizable on demand with the following minimum internal bending: Minimum internal bending: 1000 mm for 2 and 3 columns - 1300 mm for 4, 5 and 6 columns. The development of the battery can not exceed the semi-circumference, that is the angle covered by the curve needs to be less than 180°



HOW TO ORDER

- When sending the order please specify:
- N. of columns • N. of sections • Height.
 - Radius and Chord as indicated in below technical drawing.
 - Type of connections.

ARDESIA® ANGLED

On demand it is possible to realize customised batteries of Ardesia® Angled.



HOW TO ORDER

- When ordering please specify:
- n° of columns,
 - n° of sections side 1 and side 2
 - Height
 - Connections and colour
 - Angle type and measure

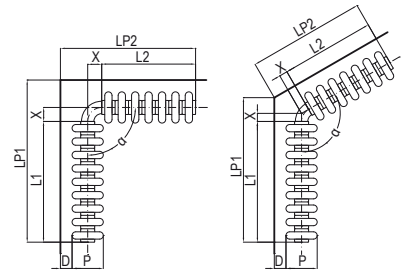
End cap, reducing bushes and nipples included but not mounted.

WARRANTY
5 YEARS

CLOSING WALL - ANGLE

N° di columns	P [mm]	Distance X [mm] depending on angle α											
		$\alpha = 90^\circ$	$\alpha = 105^\circ$	$\alpha = 120^\circ$	$\alpha = 135^\circ$	$\alpha = 150^\circ$	$\alpha = 165^\circ$	$\alpha = 90^\circ$	$\alpha = 105^\circ$	$\alpha = 120^\circ$	$\alpha = 135^\circ$	$\alpha = 150^\circ$	$\alpha = 165^\circ$
2	66	48	37	28	20	13	6	48	51	58	73	105	204
3	107	48	37	28	20	13	6	48	57	70	93	140	281
4	148	93	71	54	39	25	12	93	97	108	133	188	363
5	189	93	71	54	39	25	12	93	102	120	153	223	440
6	230	118	96	79	64	50	37	93	102	120	153	223	440

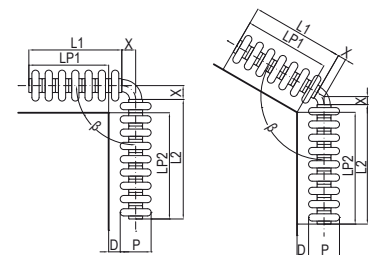
Value to add or subtract to
(Number of sections x 46) so to obtain the wall encumbrance LP with D = 20 depending on angle α



OPENING WALL - ANGLE

N° di columns	P [mm]	Distance X [mm] depending on angle β											
		$\beta = 90^\circ$	$\beta = 105^\circ$	$\beta = 120^\circ$	$\beta = 135^\circ$	$\beta = 150^\circ$	$\beta = 165^\circ$	$\beta = 90^\circ$	$\beta = 105^\circ$	$\beta = 120^\circ$	$\beta = 135^\circ$	$\beta = 150^\circ$	$\beta = 165^\circ$
2	66	48	37	28	20	13	6	5	4	3	2	1	1
3	107	48	37	28	20	13	6	26	20	15	11	7	3
4	148	93	71	54	39	25	12	1	1	0	0	0	0
5	189	93	71	54	39	25	12	22	16	12	9	6	3
6	230	118	96	79	64	50	37	17	7	-1	-8	-14	-19

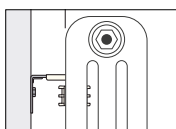
Value to add or subtract to
(Number of sections x 46) so to obtain the wall encumbrance LP with D = 20 depending on angle β



ARDESIA® WITH WELDED FEET

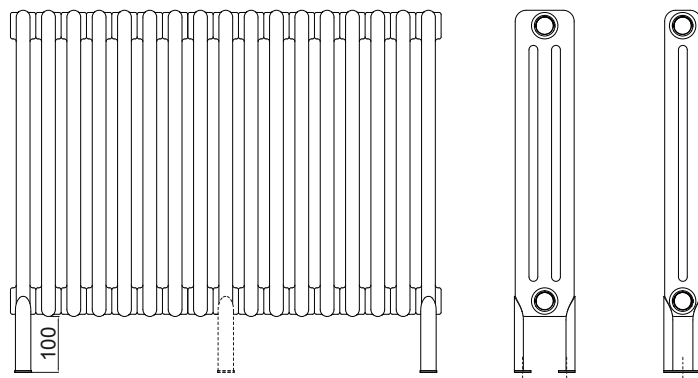
Ardesia® with welded feet support is available on demand. The floor feet support is welded to the battery and in matching colour. Standard height for



The feet is 100mm. On demand, it is possible to realize feet up to 150mm of height.



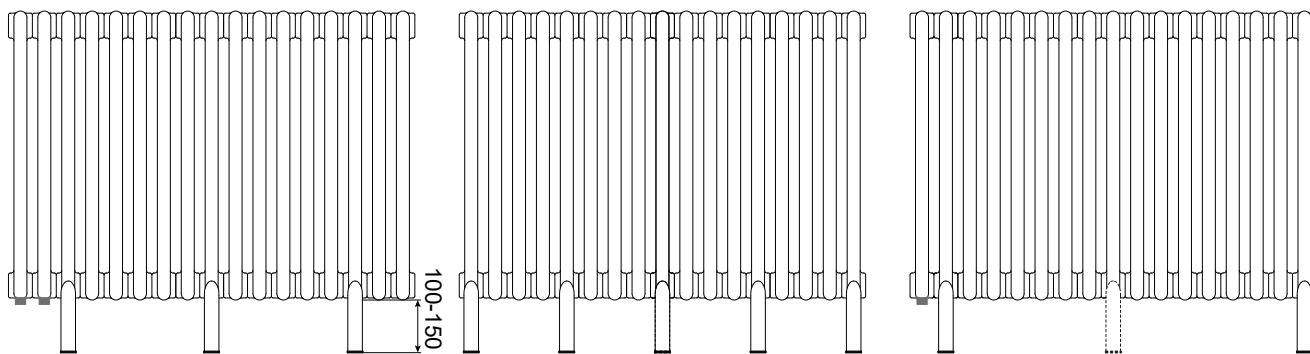
PLEASE NOTE: on ARDESIA® with welded feet it is always necessary to install the wall stabiliser kit.

Art. nr. 5991990310307



MOUNTING OPTIONS	2	3	4	5	6	FEET STANDARD HEIGHT [mm]
	COLUMNS	COLUMNS	COLUMNS	COLUMNS	COLUMNS	
connected at the base 				free 		
from 3 to 23 SECTIONS	2 pairs	2 pairs	2 pairs	2 pairs	2 pairs	100
from 24 to 40 SECTIONS	3 pairs	3 pairs	3 pairs	3 pairs	3 pairs	100
from 41 to 63 SECTIONS	4 pairs	4 pairs	4 pairs	4 pairs	4 pairs	100

For special executions or for welded bottom connections connections, it is possible to customise batteries with a major or odd number of welded feet to facilitate installation.

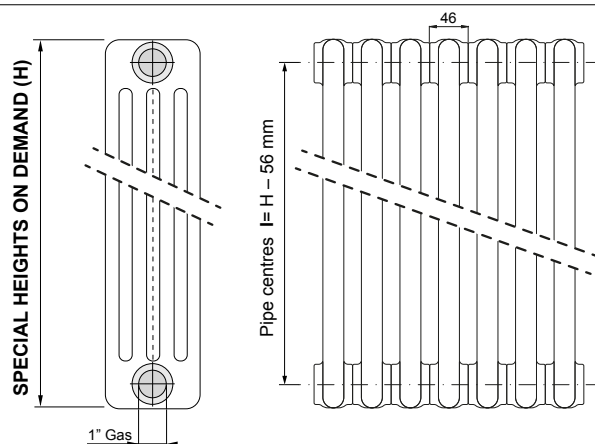


SPECIAL HEIGHTS (NON STANDARD)

For replacing old radiators or for specific installation needs, it is possible to realize Special Heights, not indicated in pricelist, **from 300 mm up to 2500 mm.**

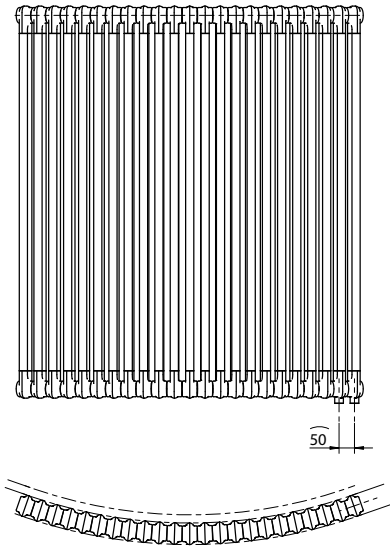
SURCHARGE FOR SPECIAL HEIGHTS ON DEMAND

Refer to the price of the immediate higher standard height. Requests are accepted only for models whose height or center distance is 5 mm higher than the standard sizes.

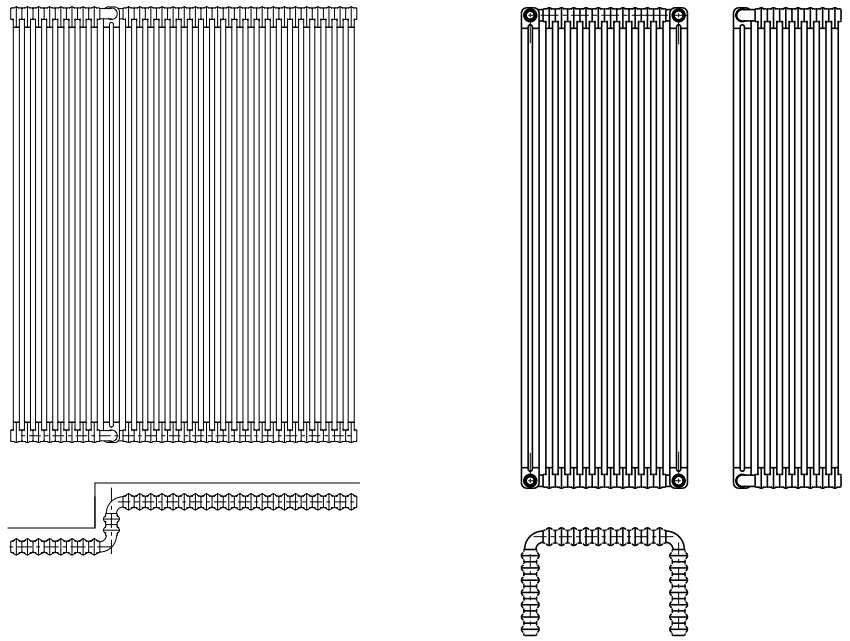


EXAMPLES OF CUSTOMISED EXECUTIONS

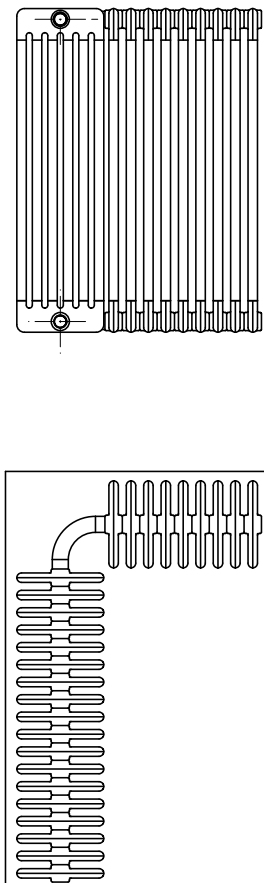
CURVED



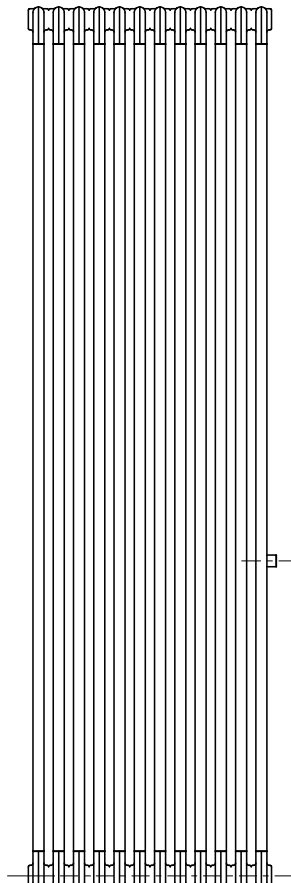
DOUBLE ANGLES



SINGLE ANGLE



SOLUTION WITH LATERAL CONNECTION
FOR 3 AND 5 COLUMN BATTERIES



CUSTOMISED WELDED SLEEVES

