



# ALICE 22 VERTICAL



**EUROPEAN  
WARRANTY**

**MATERIAL:**

- Horizontal collectors in painted mild steel  $\phi$  30 mm.
- Vertical heating elements in painted mild steel  $\phi$  22 mm.

**FIXING KIT:**

Brackets, airvent, hexagonal tool, plugs and screws for mounting suitable for use on compact or hollow brick, user notice.

**PACKAGING:**

Carton angular and profiles protected by a recyclable film in polyethylene. User notice included.

**PAINTING PROCESS:**

Painted with ecological epoxy powders (Certificate DIN 55900-1,-2).

**COLOURS:**

See colour chart.

**ACCESSORIES:**

For the complete list, please refer to the accessories chapter.

Height H [mm]	400	500	600	700	800	1000	1200	1400	1500
Therm. output per el. $\Delta t = 50^\circ\text{C}$ [Watt]	19	23,4	27,6	31,7	35,8	43,8	51,5	59	62,7
Therm. output per el. $\Delta t = 30^\circ\text{C}$ [Watt]	9,9	12,2	14,5	16,7	18,9	23,1	27,2	31,1	33
Dry Weight per section [kg]	0,271	0,322	0,374	0,426	0,478	0,582	0,685	0,789	0,841
Element water content [lt]	0,16	0,191	0,223	0,254	0,286	0,349	0,411	0,474	0,5
Element surface [m <sup>2</sup> ]	0,33	0,04	0,047	0,054	0,061	0,075	0,089	0,102	0,109
Exp. n	1,2757	1,2695	1,2634	1,2573	1,2512	1,2470	1,2508	1,2546	1,2565
Pipe centres l [mm] (V3-V4 only)	370	470	570	670	770	970	1170	1370	1470

For output at different  $\Delta T$ , please refer to the following formula: desired output = output at  $\Delta T 50 \times (\text{desired } \Delta T / 50)^n$

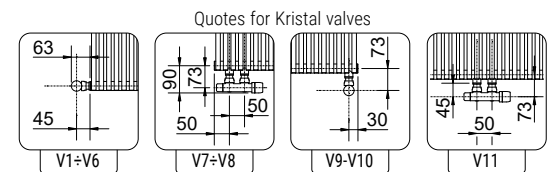
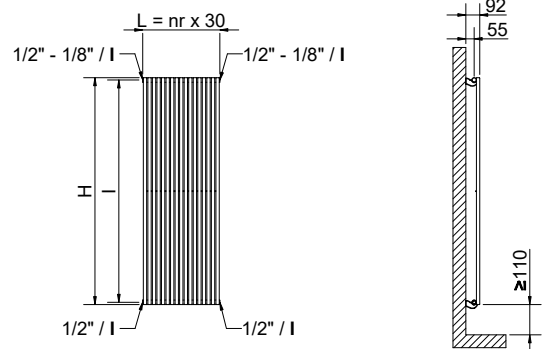
Height H [mm]	1600	1700	1800	1900	2000	2100	2200	2300	2500
Therm. output per el. $\Delta t = 50^\circ\text{C}$ [Watt]	66,3	69,9	73,4	76,9	80,4	83,3	87,1	90,5	97
Therm. output per el. $\Delta t = 30^\circ\text{C}$ [Watt]	34,8	36,7	38,4	40,2	41,9	43,6	45,3	47,7	51,2
Dry Weight per section [kg]	0,893	0,945	0,996	1,048	1,1	1,152	1,204	1,256	1,359
Element water content [lt]	0,537	0,568	0,6	0,631	0,663	0,694	0,726	0,757	0,82
Element surface [m <sup>2</sup> ]	0,116	0,123	0,13	0,137	0,144	0,151	0,158	0,165	0,178
Exp. n	1,2599	1,2633	1,2667	1,2701	1,2735	1,2769	1,2803	1,2837	1,2871
Pipe centres l [mm] (V3-V4 only)	1570	1670	1770	1870	1970	2070	2170	2270	2470

P. max: 8 bar

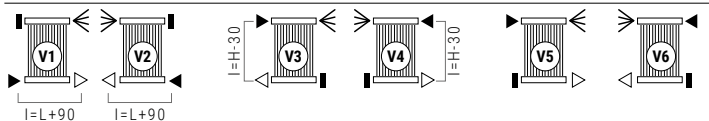
T. max: 110° C

Functioning: hot water

Connections: n° 2 x 1/2" G - n° 1 da 1/8" G

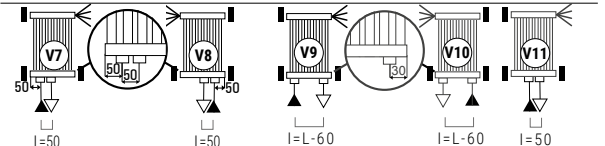


**STANDARD CONNECTIONS WITHOUT SURCHARGE**



**LEGENDA:** In Out airvent H Height l pipe centres L width

**SPECIAL CONNECTIONS**



connection welded cap

Always specify the kind of connection needed when ordering.  
Bidirectional pipe connection not available

**HOW TO ORDER THE RADIATOR ALICE 22 VERTICAL**

ARTICLE NR. STRUCTURE	Radiator model	Nr of Elements	Height in cm	Code of the connection	Code of the colour	Constant value
AAAA	BB	CCC	DDD	EEE		A

EXAMPLE	Radiator model E.g.: Alice 22 vertical	Nr of Elements E.g.: 24 elements	Height in cm Example: 800 mm	Code of the connection Example: connection V1	Code of the colour Example: S16 - Canary	Constant value
AL22	24	080	V01	S16	A	

**EXAMPLE OF ARTICLE CODE CREATION**

In the case of a radiator:  
**AL22** ALICE 22 VERTICAL  
**24** 24 elements  
**080** Height 800 mm  
**V01** connection V1  
**S16** colour S16 - Canary  
**A** (Constant value)  
 The article code will be:  
**AL22 24 080 V01 S16 A**

**ACCESSORIES**

If ordered separately from the radiator, the accessories are available in standard white only

**Kristal valve square with thermostatic option white R01**

Copper conn.  $\phi$  12/14/15  
Art. nr. 5991990311161

Multilayer conn.  $\phi$  16  
Art. nr. 5991990311160

**Kristal valve square pipe centres 50 mm right white R01**

Copper conn.  $\phi$  12/14/15  
Art. nr. 5991990311186

Multilayer conn.  $\phi$  16  
Art. nr. 5991990311185

**Thermostatic head white**

(Kit 2 pieces)  
Art. nr. 5035270710016

Art. nr. are referred to colour WHITE R01



# ALICE 22 VERTICAL

Height H [mm]		400	500	600	700	800	1000	1200	1400	1500
Width L [mm]	N° El.	Watt $\Delta t=50^{\circ}\text{C}$	Watt $\Delta t=50^{\circ}\text{C}$	Watt $\Delta t=50^{\circ}\text{C}$	Watt $\Delta t=50^{\circ}\text{C}$	Watt $\Delta t=50^{\circ}\text{C}$	Watt $\Delta t=50^{\circ}\text{C}$	Watt $\Delta t=50^{\circ}\text{C}$	Watt $\Delta t=50^{\circ}\text{C}$	Watt $\Delta t=50^{\circ}\text{C}$
150	5	95	117	138	159	179	219	258	295	314
180	6	114	140	166	190	215	263	309	354	376
210	7	133	164	193	222	251	307	361	413	439
240	8	152	187	221	254	286	350	412	472	502
270	9	171	211	248	285	322	394	464	531	564
300	10	190	234	276	317	358	438	515	590	627
330	11	209	257	304	349	394	482	567	649	690
360	12	228	281	331	380	430	526	618	708	752
390	13	247	304	359	412	465	569	670	767	815
420	14	266	328	386	444	501	613	721	826	878
450	15	285	351	414	476	537	657	773	885	941
480	16	304	374	442	507	573	701	824	944	1003
510	17	323	398	469	539	609	745	876	1003	1066
540	18	342	421	497	571	644	788	927	1062	1129
570	19	361	445	524	602	680	832	979	1121	1191
600	20	380	468	552	634	716	876	1030	1180	1254
630	21	399	491	580	666	752	920	1082	1239	1317
660	22	418	515	607	697	788	964	1133	1298	1379
690	23	437	538	635	729	823	1007	1185	1357	1442
720	24	456	562	662	761	859	1051	1236	1416	1505
750	25	475	585	690	793	895	1095	1288	1475	1568
780	26	494	608	718	824	931	1139	1339	1534	1630
810	27	513	632	745	856	967	1183	1391	1593	1693
840	28	532	655	773	888	1002	1226	1442	1652	1756
870	29	551	679	800	919	1038	1270	1494	1711	1818
900	30	570	702	828	951	1074	1314	1545	1770	1881
960	32	608	749	883	1014	1146	1402	1648	1888	2006
1020	34	646	796	938	1078	1217	1489	1751	2006	2132
1080	36	684	842	994	1141	1289	1577	1854	2124	2257
1140	38	722	889	1049	1205	1360	1664	1957	2242	2383
1200	40	760	936	1104	1268	1432	1752	2060	2360	2508
1260	42	798	983	1159	1331	1504	1840	2163	2478	2633
1320	44	836	1030	1214	1395	1575	1927	2266	2596	2759
1380	46	874	1076	1270	1458	1647	2015	2369	2714	2884
1440	48	912	1123	1325	1522	1718	2102	2472	2832	3010
1500	50	950	1170	1380	1585	1790	2190	2575	2950	3135
1560	52	988	1217	1435	1648	1862	2278	2678	3068	3260
1620	54	1026	1264	1490	1712	1933	2365	2781	3186	3386

All intermediate sizes are available for widths from 5 to 54 elements and heights from 400 to 2500 mm

Height H [mm]		1600	1700	1800	1900	2000	2100	2200	2300	2500
Width L [mm]	N° El.	Watt $\Delta t=50^{\circ}\text{C}$	Watt $\Delta t=50^{\circ}\text{C}$	Watt $\Delta t=50^{\circ}\text{C}$	Watt $\Delta t=50^{\circ}\text{C}$	Watt $\Delta t=50^{\circ}\text{C}$	Watt $\Delta t=50^{\circ}\text{C}$	Watt $\Delta t=50^{\circ}\text{C}$	Watt $\Delta t=50^{\circ}\text{C}$	Watt $\Delta t=50^{\circ}\text{C}$
150	5	332	350	367	385	402	417	436	453	485
180	6	398	419	440	461	482	500	523	543	582
210	7	464	489	514	538	563	583	610	634	679
240	8	530	559	587	615	643	666	697	724	776
270	9	597	629	661	692	724	750	784	815	873
300	10	663	699	734	769	804	833	871	905	970
330	11	729	769	807	846	884	916	958	996	1067
360	12	796	839	881	923	965	1000	1045	1086	1164
390	13	862	909	954	1000	1045	1083	1132	1177	1261
420	14	928	979	1028	1077	1126	1166	1219	1267	1358
450	15	995	1049	1101	1154	1206	1250	1307	1358	1455
480	16	1061	1118	1174	1230	1286	1333	1394	1448	1552
510	17	1127	1188	1248	1307	1367	1416	1481	1539	1649
540	18	1193	1258	1321	1384	1447	1499	1568	1629	1746
570	19	1260	1328	1395	1461	1528	1583	1655	1720	1843
600	20	1326	1398	1468	1538	1608	1666	1742	1810	1940
630	21	1392	1468	1541	1615	1688	1749	1829	1901	2037
660	22	1459	1538	1615	1692	1769	1833	1916	1991	2134
690	23	1525	1608	1688	1769	1849	1916	2003	2082	2231
720	24	1591	1678	1762	1846	1930	1999	2090	2172	2328
750	25	1658	1748	1835	1923	2010	2083	2178	2263	2425
780	26	1724	1817	1908	1999	2090	2166	2265	2353	2522
810	27	1790	1887	1982	2076	2171	2249	2352	2444	2619
840	28	1856	1957	2055	2153	2251	2332	2439	2534	2716
870	29	1923	2027	2129	2230	2332	2416	2526	2625	2813
900	30	1989	2097	2202	2307	2412	2499	2613	2715	2910
960	32	2122	2237	2349	2461	2573	2666	2787	2896	3104
1020	34	2254	2377	2496	2615	2734	2832	2961	3077	3298
1080	36	2387	2516	2642	2768	2894	2999	3136	3258	3492
1140	38	2519	2656	2789	2922	3055	3165	3310	3439	3686
1200	40	2652	2796	2936	3076	3216	3332	3484	3620	3880
1260	42	2785	2936	3083	3230	3377	3499	3658	3801	4074
1320	44	2917	3076	3230	3384	3538	3665	3832	3982	4268
1380	46	3050	3215	3376	3537	3698	3832	4007	4163	4462
1440	48	3182	3355	3523	3691	3859	3998	4181	4344	4656
1500	50	3315	3495	3670	3845	4020	4165	4355	4525	4850
1560	52	3448	3635	3817	3999	4181	4332	4529	4706	5044
1620	54	3580	3775	3964	4153	4342	4498	4703	4887	5238