



ALICE 18 TANDEM HORIZONTAL



EUROPEAN WARRANTY

RESTYLING

MATERIAL:

- Vertical collectors in painted mild steel ϕ 30 mm.
- Double horizontal heating elements in painted mild steel ϕ 18 mm.

FIXING KIT:

Brackets, airvent, hexagonal tool, plugs and screws for mounting suitable for use on compact or hollow brick, user notice. The kit is certified from TÜV in compliance with VDI 6036 -

class 4.

PACKAGING:

Carton angular and profiles protected by a recyclable film in polyethylene. User notice included.

PAINTING PROCESS:

Painted with ecological epoxy powders (Certificate DIN 55900-1;-2).

COLOURS:

See colour chart.

ACCESSORIES:

For the complete list, please refer to the accessories chapter.

Width L [mm]	400	500	600	700	800	1000	1200	1400	1500
Dry Weight per section [kg]	0,378	0,462	0,546	0,630	0,714	0,882	1,050	1,218	1,302
Element water content [lt]	0,191	0,231	0,271	0,311	0,352	0,432	0,512	0,593	0,633
Element surface [m ²]	0,050	0,061	0,073	0,084	0,095	0,118	0,140	0,163	0,174
Pipe centres l [mm] (H1 only)	370	470	570	670	770	970	1170	1370	1470

For output at different ΔT , please refer to the following formula: $\text{desired output} = \text{output at } \Delta T 50 \times (\text{desired } \Delta T / 50)^n$

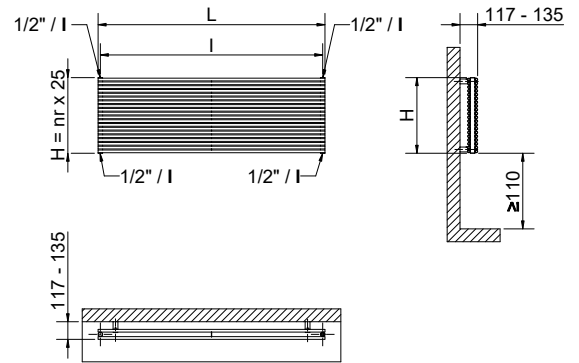
Width L [mm]	1600	1700	1800	1900	2000	2100	2200	2300	2500
Dry Weight per section [kg]	1,385	1,469	1,553	1,637	1,721	1,805	1,889	1,973	2,141
Element water content [lt]	0,673	0,714	0,754	0,794	0,834	0,874	0,915	0,955	1,035
Element surface [m ²]	0,186	0,197	0,208	0,220	0,231	0,242	0,254	0,265	0,287
Pipe centres l [mm] (H1 only)	1570	1670	1770	1870	1970	2070	2170	2270	2470

P. Max: 8 bar

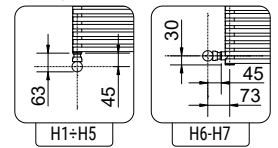
T. Max: 110° C

Functioning: hot water

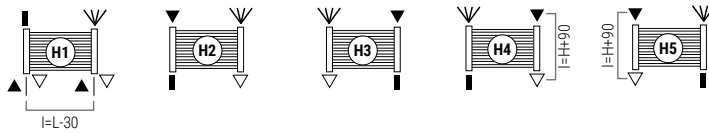
Connections: n° 2 x 1/2" G - 1 x 1/2" G



Quotes for Kristal valves

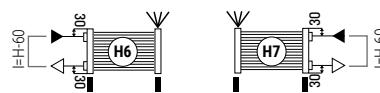


STANDARD CONNECTIONS WITHOUT SURCHARGE



LEGENDA: \blacktriangleright In \blacktriangleleft Out \triangleleft airvent H Height I pipe centres L width \square connection \blacksquare welded cap

SPECIAL CONNECTIONS



Always specify the kind of connection needed when ordering.
Bidirectional pipe connection not available

HOW TO ORDER THE RADIATOR ALICE 18 TANDEM HORIZONTAL

ARTICLE NR. STRUCTURE	Radiator model	Nr of Elements	Width in cm	Code of the connection	Code of the colour	Constant value
AAAA	BB	CCC	DDD	EEE	C	

EXAMPLE	Radiator model E.g.: Alice 18 tandem horizontal	Nr of Elements E.g.: 20 elements	Width in cm Example: 1200 mm	Code of the connection Example: connection H4	Code of the colour Example: S16 - Canary	Constant value
AT18	20	120	H04	S16	C	

EXAMPLE OF ARTICLE CODE CREATION

In the case of a radiator:

AT18 ALICE 18 TANDEM HORIZONTAL

20 20 elements

120 width 1200 mm

H04 connection H4

S16 colour S16 - Canary

C (Constant value)

The article code will be:

AT18 20 120 H04 S16 C

ACCESSORIES


If ordered separately from the radiator, the accessories are available in standard white only



Kristal valve square with thermostatic option white R01

Copper conn. ϕ 12/14/15
Art. nr. 5991990311161

Multilayer conn. ϕ 16
Art. nr. 5991990311160



Kristal valve corner right with thermostatic option white R01

Copper conn. ϕ 12/14/15
Art. nr. 5991990311176

Multilayer conn. ϕ 16
Art. nr. 5991990311175



Pair of white tube cover kit

Art. nr. 5103000000060

Art. nr. are referred to colour WHITE R01



ALICE 18 TANDEM HORIZONTAL

Width L [mm]		400	500	600	700	800	1000	1200	1400	1500	OUTPUT PER LINEAR METER		Exp. n
Height H [mm]	N° El.	Watt $\Delta t=50^{\circ}\text{C}$	Watt $\Delta t=50^{\circ}\text{C}$	Watt $\Delta t=50^{\circ}\text{C}$	Watt $\Delta t=50^{\circ}\text{C}$	Watt $\Delta t=50^{\circ}\text{C}$	Watt $\Delta t=50^{\circ}\text{C}$	Watt $\Delta t=50^{\circ}\text{C}$	Watt $\Delta t=50^{\circ}\text{C}$	Watt $\Delta t=50^{\circ}\text{C}$	Watt $\Delta t=30^{\circ}\text{C}$		
125	5	196	245	294	343	392	490	588	685	734	270	1,1615	
150	6	222	277	333	388	444	555	666	777	832	305	1,1690	
175	7	246	308	370	431	493	616	739	863	924	338	1,1765	
200	8	270	337	405	472	539	674	809	944	1011	368	1,1840	
225	9	292	365	438	511	584	729	875	1021	1094	397	1,1915	
250	10	313	391	469	547	626	782	939	1095	1173	424	1,1990	
275	11	333	416	500	583	666	833	999	1166	1249	449	1,2065	
300	12	352	440	528	617	705	881	1057	1233	1321	474	1,2140	
325	13	371	464	556	649	742	927	1113	1298	1391	497	1,2215	
350	14	389	486	583	681	778	972	1167	1361	1458	519	1,2290	
375	15	406	508	609	711	812	1015	1218	1422	1523	540	1,2365	
400	16	423	529	634	740	846	1057	1269	1480	1586	560	1,2440	
425	17	439	549	659	768	878	1098	1317	1537	1646	579	1,2515	
450	18	455	568	682	796	909	1137	1364	1591	1705	598	1,2589	
475	19	470	587	705	822	940	1175	1409	1644	1762	615	1,2664	
500	20	484	606	727	848	969	1211	1453	1696	1817	632	1,2739	
525	21	499	623	748	873	997	1247	1496	1745	1870	648	1,2814	
550	22	512	641	769	897	1025	1281	1537	1794	1922	663	1,2889	
575	23	526	657	789	920	1052	1315	1578	1841	1972	678	1,2964	
600	24	539	674	808	943	1078	1347	1617	1886	2021	692	1,3039	
625	25	552	690	827	965	1103	1379	1655	1931	2069	706	1,3114	
650	26	564	705	846	987	1128	1410	1692	1974	2115	719	1,3189	
675	27	576	720	864	1008	1152	1440	1728	2015	2159	742	1,2988	
700	28	587	734	881	1028	1175	1469	1762	2056	2203	764	1,2787	
725	29	599	749	898	1048	1198	1497	1796	2096	2246	787	1,2586	
750	30	610	762	915	1067	1220	1525	1829	2134	2287	810	1,2385	
775	31	621	776	931	1086	1241	1551	1862	2172	2327	833	1,2184	
800	32	631	789	946	1104	1262	1577	1893	2208	2366	855	1,1983	
825	33	641	801	962	1122	1282	1603	1923	2244	2404	868	1,2017	
850	34	651	814	977	1139	1302	1628	1953	2279	2441	879	1,2051	
875	35	661	826	991	1156	1321	1652	1982	2312	2477	891	1,2085	
900	36	670	838	1005	1173	1340	1675	2010	2345	2513	902	1,2119	
925	37	679	849	1019	1189	1358	1698	2037	2377	2547	913	1,2154	
950	38	688	860	1032	1204	1376	1720	2064	2408	2580	923	1,2188	
975	39	697	871	1045	1219	1393	1742	2090	2439	2613	933	1,2222	
1000	40	705	881	1058	1234	1410	1763	2115	2468	2644	943	1,2256	

All intermediate sizes are available for widths from 5 to 40 elements and heights from 400 to 2500 mm

Width L [mm]		1600	1700	1800	1900	2000	2100	2200	2300	2500	OUTPUT PER LINEAR METER		Exp. n
Height H [mm]	N° El.	Watt $\Delta t=50^{\circ}\text{C}$	Watt $\Delta t=50^{\circ}\text{C}$	Watt $\Delta t=50^{\circ}\text{C}$	Watt $\Delta t=50^{\circ}\text{C}$	Watt $\Delta t=50^{\circ}\text{C}$	Watt $\Delta t=50^{\circ}\text{C}$	Watt $\Delta t=50^{\circ}\text{C}$	Watt $\Delta t=50^{\circ}\text{C}$	Watt $\Delta t=50^{\circ}\text{C}$	Watt $\Delta t=30^{\circ}\text{C}$		
125	5	783	832	881	930	979	1028	1077	1126	1224	270	1,1615	
150	6	888	943	999	1054	1110	1165	1221	1276	1387	305	1,1690	
175	7	986	1048	1109	1171	1232	1294	1356	1417	1541	338	1,1765	
200	8	1079	1146	1214	1281	1348	1416	1483	1551	1686	368	1,1840	
225	9	1167	1240	1313	1386	1459	1532	1605	1678	1824	397	1,1915	
250	10	1251	1330	1408	1486	1564	1642	1721	1799	1955	424	1,1990	
275	11	1332	1415	1499	1582	1665	1748	1832	1915	2081	449	1,2065	
300	12	1409	1497	1585	1674	1762	1850	1938	2026	2202	474	1,2140	
325	13	1484	1577	1669	1762	1855	1948	2040	2133	2319	497	1,2215	
350	14	1556	1653	1750	1847	1944	2042	2139	2236	2431	519	1,2290	
375	15	1625	1726	1828	1929	2031	2132	2234	2335	2539	540	1,2365	
400	16	1692	1797	1903	2009	2114	2220	2326	2432	2643	560	1,2440	
425	17	1756	1866	1976	2085	2195	2305	2415	2524	2744	579	1,2515	
450	18	1819	1932	2046	2160	2273	2387	2501	2614	2842	598	1,2589	
475	19	1879	1997	2114	2232	2349	2466	2584	2701	2936	615	1,2664	
500	20	1938	2059	2180	2301	2422	2543	2664	2786	3028	632	1,2739	
525	21	1995	2119	2244	2369	2493	2618	2743	2867	3117	648	1,2814	
550	22	2050	2178	2306	2434	2562	2691	2819	2947	3203	663	1,2889	
575	23	2104	2235	2367	2498	2630	2761	2893	3024	3287	678	1,2964	
600	24	2156	2290	2425	2560	2695	2829	2964	3099	3368	692	1,3039	
625	25	2206	2344	2482	2620	2758	2896	3034	3172	3448	706	1,3114	
650	26	2256	2396	2537	2678	2819	2960	3101	3242	3524	719	1,3189	
675	27	2303	2447	2591	2735	2879	3023	3167	3311	3599	742	1,2988	
700	28	2350	2497	2644	2791	2937	3084	3231	3378	3672	764	1,2787	
725	29	2395	2545	2695	2844	2994	3144	3293	3443	3743	787	1,2586	
750	30	2439	2592	2744	2897	3049	3201	3354	3506	3811	810	1,2385	
775	31	2482	2637	2792	2947	3103	3258	3413	3568	3878	833	1,2184	
800	32	2524	2682	2839	2997	3155	3313	3470	3628	3944	855	1,1983	
825	33	2564	2725	2885	3045	3206	3366	3526	3686	4007	868	1,2017	
850	34	2604	2767	2930	3092	3255	3418	3581	3743	4069	879	1,2051	
875	35	2643	2808	2973	3138	3303	3468	3634	3799	4129	891	1,2085	
900	36	2680	2848	3015	3183	3350	3518	3685	3853	4188	902	1,2119	
925	37	2717	2886	3056	3226	3396	3566	3735	3905	4245	913	1,2154	
950	38	2752	2924	3096	3268	3440	3612	3784	3956	4300	923	1,2188	
975	39	2787	2961	3135	3309	3484	3658	3832	4006	4355	933	1,2222	
1000	40	2821	2997	3173	3350	3526	3702	3878	4055	4407	943	1,2256	