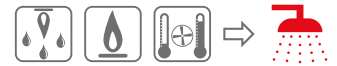


ACQUAMAS® 2

Thermal storage with ACQUAMAS® MODULE

FOR INSTANTANEOUS PRODUCTION OF DHW AND 1 HEAT EXCHANGER FOR AN AUXILIARY GENERATOR



APPLICATION

Stratified storage of technical water, for instantaneous production of domestic hot water (DHW) with high flow rates and efficiency in systems with low temperature generators such as heat pumps (HP) and with integration of an auxiliary heat source.

MATERIAL

Mild steel, painted externally and untreated internally.

INSTANTANEOUS DHW PRODUCTION MODULE:

External ACQUAMAS® MODULE with 316L stainless steel plate heat exchanger for instantaneous production of domestic hot water (DHW), equipped with electronic control unit.

HEAT EXCHANGER (TECHNICAL WATER STORAGE):

The thermal storage is equipped with 1 fixed heat exchanger in mild steel to integrate an auxiliary generator.

INSULATION

Thermal storage: High thermal insulation with ecological polyurethane hard foam.

ACQUAMAS® MODULE: contained within the EPP structure, with the function of housing and insulation.

Grey PVC external lining.

TECHNICAL DESCRIPTION

ACQUAMAS® thermal storage, specific for the accumulation of the heat produced by the thermal system and the instantaneous production of DHW, therefore without accumulation of domestic hot water, with the following advantages:

- ease of maintenance
- maximum hygiene in anti-legionella function.

WARRANTY

5 years (tank). See general sales conditions and warranty for electrical parts



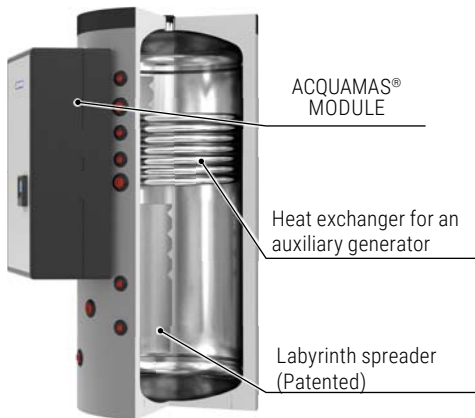
IMMEDIATE
DHW
PRODUCTION

NEW



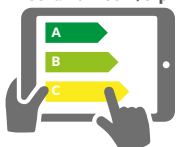
ACQUAMAS® 2

Model	ACQUAMAS® MODULE (with stainless steel brazed plates)	HARD FOAM INSULATION Art. Nr.	HEAT EXCHANGER SURFACE Upper [m²]	ENERGY EFFICIENCY CLASS
500	120	3251162314860	1,3	C
600		3251162314861	1,3	C



PATENTED

cordivari.com/erp



On line ErP label tool

Model	DHW module	DHW production (10-45°C) with accumulation at 60°C [l/min]	Maximum availability of DHW (10-45°C) with accumulation at 80°C [liters]
500	ACQUAMAS® MODULE	40	570
600		40	670

ACCESSORIES

Thermometer

Art. Nr.	
5032240000107	
5 units box	

Recirculation kit

Art. Nr.	
5221000000073	
DHW recirculation group	

Buffer tanks connecting kit

Art. Nr.	Connection	
5006170001001	1" 1/2	
Stainless steel extensible connecting kit - (200 ÷ 400 mm)		

ACQUAMAS® 2

Thermal Storage with ACQUAMAS® Module

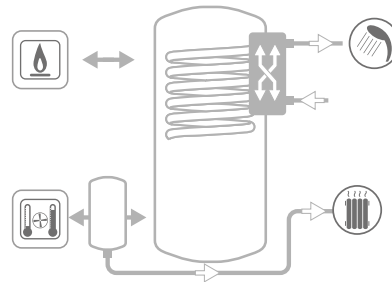
FOR INSTANTANEOUS PRODUCTION OF DHW AND 1 HEAT EXCHANGER FOR AN AUXILIARY GENERATOR

STORAGE		FIXED HEAT EXCHANGER		HEAT EXCHANGER A STAINLESS STEEL PLATES (MACS®)		HARDNESS OF DHW
Pmax	Tmax	Pmax	Tmax	Pmax	Tmax	F max
3 bar	99 °C	12 bar	110 °C	6 bar	99 °C	30 °f

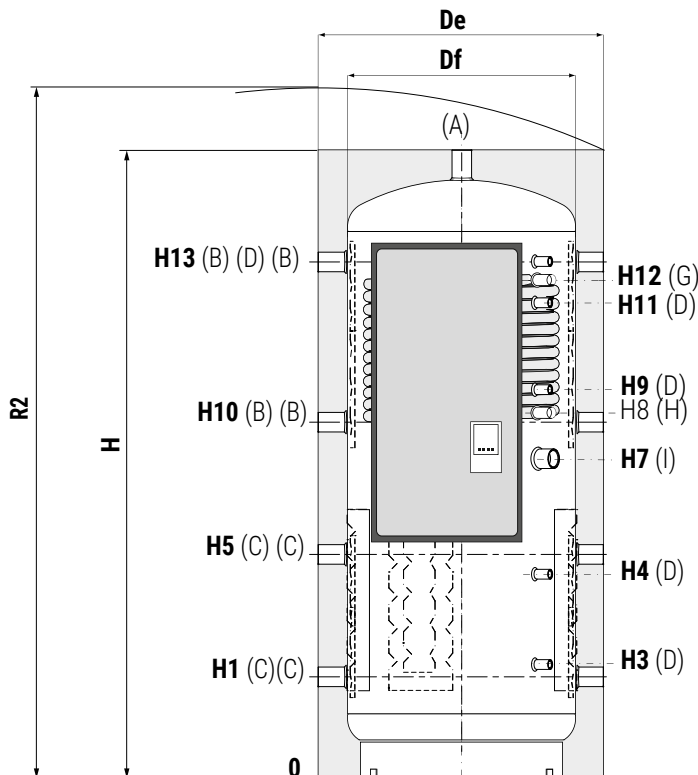


CORDIVARI® Lab

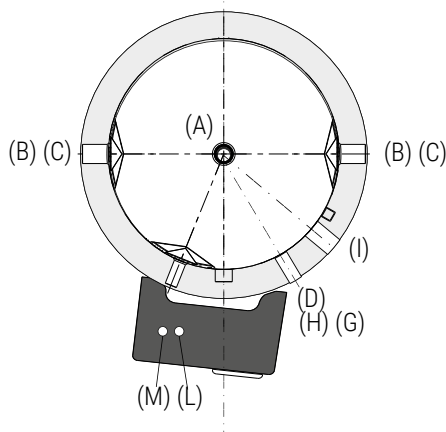
TÜV Rheinland Energie und Umwelt GmbH states that test procedures and Cordivari LAB are certified conforming to European standard EN 15332, as indicated by Ecodesign ErP Directive.



See TECHNICAL SUPPORT chapter for example of installation



- A** From generator / vent 1"1/2 G F
- B** From the generator 1"1/2 G F
- C** To the generator 1"1/2 G F
- D** Connection for instrumentation 1/2" G F
- G** Fixed heat exchanger inlet 1" G F
- H** Fixed heat exchanger outlet 1" G F
- I** Connection for for electric immersion heater 1"1/2 F
- L** Domestic hot water outlet 1" G M
- M** Domestic cold water circuit inlet 1" G M

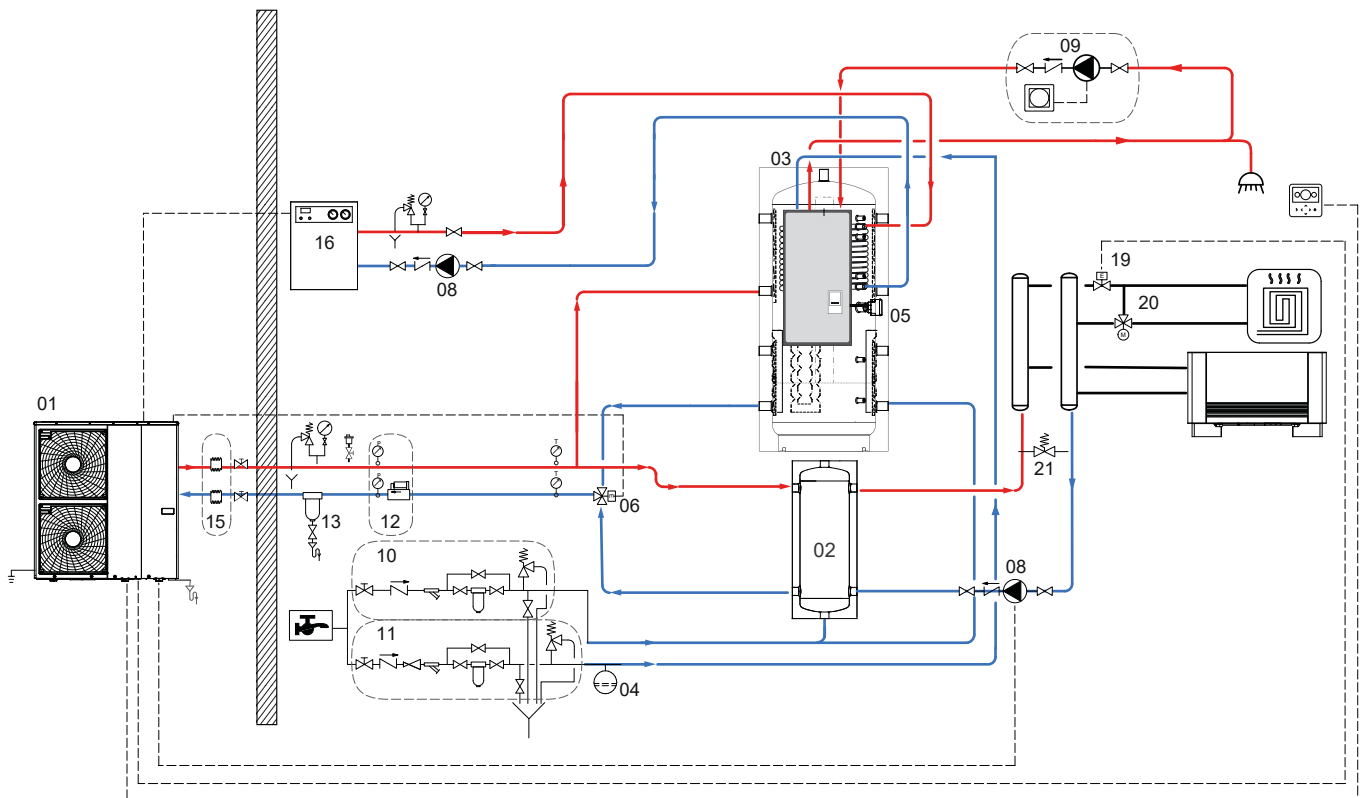


ACQUAMAS® 2

Model	Volume [lt]	De	Df	H	R2	H1	H3	H4	H5	H7	H8	H9	H10	H11	H12	H13
500	478	750	650	1619	1785	247	360	425	533	870	930	1025	1011	1130	1231	1343
600	560	750	650	1870	2015	247	360	582	695	970	1090	1200	1144	1485	1391	1593



EXAMPLE OF INSTALLATION WITH ACQUAMAS® 2



- | | |
|----|---|
| 1 | Heat Pump |
| 2 | Heating/cooling buffer tank Buffer tank PDC |
| 3 | Thermal storage ACQUAMAS® 2 |
| 4 | Expansion Vessel |
| 5 | DHW Electric Resistance |
| 6 | 3-way motorized valve |
| 8 | Circulation group |
| 9 | DHW Recirculation Kit |
| 10 | Compulsory components for the compliance of Sanitary Water with current regulations (Legislative Decree 31/2001, UNI 8065/2019, etc) and with the system requirements for the warranty conditions. |
| 11 | Compulsory components for the compliance of the System Water with the regulations in force (Legislative Decree 31/2001, UNI 8065/2019, etc) and with the system requirements for the warranty conditions. |
| 12 | Flow meter or pair of pressure gauges |
| 13 | Magnetic dirt separator |
| 15 | Anti-vibration joints |
| 16 | Integrative generator |
| 19 | Zone valve |
| 20 | Low Temperature System Mixing |
| 21 | By-pass valve |

The following schemes are purely illustrative. To realize the installation, always refer to a qualified technician.

ACQUAMAS® 2

MAXIMUM DHW FLOW RATE THAT CAN BE PRODUCED WITH COLD SANITARY WATER AT 10 °C



ACQUAMAS® MODULE FOR INSTANT PRODUCTION OF DHW

- 2-40 LITERS/MINUTE
- BRAZED PLATES EXCHANGER IN STAINLESS 316L
- STAINLESS DHW FITTINGS
- ELECTRONIC MANAGEMENT UNIT

