

SOLAR THERMAL SYSTEM STRATOS® 4S ROTOSHIELD® WITH BOLLYTERM® HOME



NEW

BOLLYTERM® HOME



The solar thermal system **STRATOS® 4S ROTOSHIELD® WITH BOLLYTERM® HOME**, for DHW production, it's composed of the compact solar thermal system STRATOS® 4S ROTOSHIELD® and the BOLLYTERM® HOME heat pump water heater.

CHARACTERISTICS OF THE STRATOS® 4S ROTOSHIELD®

Frame structure of anodized marine grade aluminum.
Support and fixing brackets in galvanized steel.
Capturing system consisting of tubes with Sydney

type vacuum technology with highly selective coating and high vacuum grade.
Primary accumulation in stainless steel AISI 304.
DHW exchanger in stainless steel AISI 316L suitable for drinking water according to 98/83/CE and subsequent amendments.

CALORIFIER

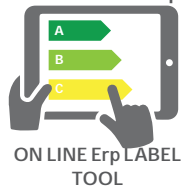
Model **BOLLYTERM® HOME** water heater with integrated heat pump.
Tank in carbon steel.
Internal Polywarm coating, suitable for drinking water according to 98/83/CE and subsequent

amendments and DHW certifications ACS-SSICA-DVGW-W270-UBA-WRAS.
1500 watt electrical heater included.
Rigid insulation of polyurethane foam with high thermal insulation. External lining in painted steel and ABS cover.
Tested in accordance with European standard EN 12897:2006.

WARRANTY

5 years - See general sales and warranty conditions

cordivari.com/erp



SYSTEM COMPONENTS

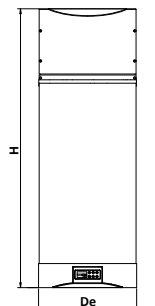
INCLUDED

Compact solar thermal system Stratos® 4S Rotoshield®	✓
BOLLYTERM® HOME heat pump water heater	✓
Frame structure anodized marine grade aluminum	✓
6 bar safety valve	✓
5-way diverting / mixing valve	✓
Fixing kit for flat surfaces and pitched roofs	✓
Non-toxic heat transfer fluid	✓
1500 watt electrical heater	✓

ALWAYS ASK FOR CERTIFIED LABORATORIES DATA RESULTS

CORDIVARI Lab

TÜV Rheinland Energie und Umwelt GmbH states that test procedures and Cordivari LAB are certified conforming to European standard EN 15332, as indicated by EArt. Nr.sign ErP Directive.

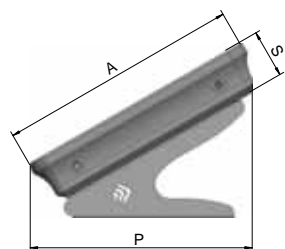


BOLLYTERM® HOME

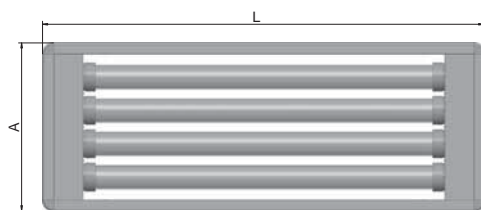
MODEL	Volume	De	H	ENERGY EFFICIENCY CLASS TESTED ErP
	[liters]	[mm]		
80	80	480	1208	A+
110	102,5	480	1393	A+

For more information and technical data of the calorifiers and buffer tanks please refer to the Cordivari Calorifiers and buffer tanks catalogue.

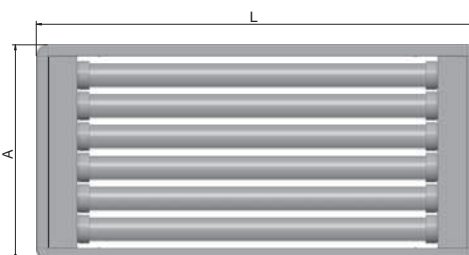
SOLAR THERMAL SYSTEM STRATOS® 4S ROTOSHIELD® WITH BOLLYTERM® HOME



MODEL 120



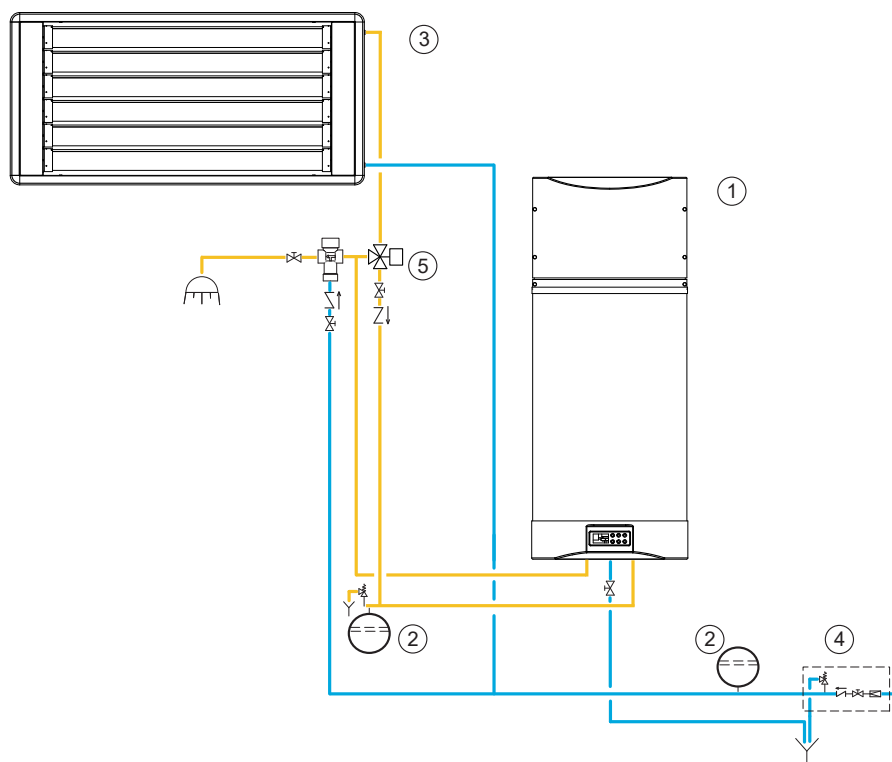
MODEL 180



Model	L	P	H	A	S	DHW connections	Gross surface area	Total weight in function	Weight per m ² in function
	[mm]						[m ²]	[kg]	[kg/m ²]
120	2160	752	589	822	163	1/2" F	1,77	122	69
180	2160	951	704	1052	163	1/2" F	2,27	178	78

STRATOS® 4S ROTOSHIELD® SYSTEM WITH BOLLYTERM® HOME

Stratos® 4S	Calorifier	Model	Description	Art. Nr.
120	BOLLYTERM® HOME	80	STRATOS 4S ROTO 120-B.T.HOME 80 WB	3410316619005
180	BOLLYTERM® HOME	110	STRATOS 4S ROTO 180-B.T.HOME 110 WB	3410316619012



LEGEND

- 1** BOLLYTERM® HOME heat pump water heater
- 2** Expansion vessel
- 3** Stratos® 4S Rotoshield®
- 4** Hydraulic safety group
- 5** 5-way diverting / mixing valve

NOTE: The shown installation examples are for illustrative purposes only. For the correct configuration always refer to a qualified installer.