

# BOLLY® 1 CLASSE A

POLYWARM® COATED DOMESTIC HOT WATER CALORIFIER WITH 1 FIXED HEAT EXCHANGER



### APPLICATION

Production and storage of domestic hot water.

### MATERIAL

Mild steel Polywarm® coated (Attestation ACS - SSICA - DVGW - W270 - UBA - WRAS)

### HEAT EXCHANGER

1 Polywarm® coated fixed heat exchanger.

### INSULATION

High thermal insulation with ecological polyurethane hard foam.

Grey PVC external lining

### CATHODE PROTECTION

Magnesium anode.

### DRAIN

External confluence through drain connection.

### GASKET- FLANGE PLATE

Silicone gaskets suitable for alimentary use for max temperature up to 200°C. Mild steel inspection flange plate with Polywarm®

### WARRANTY

5 years - See general sales conditions and warranty

### ACCESSORIES AND SPARE PARTS :

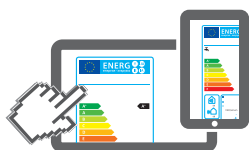
See Accessories section for the entire list.



### ENERGY EFFICIENCY CLASS



HARD FOAM INSULATION



[www.cordivari.com/erp](http://www.cordivari.com/erp)

On line ErP label tool

### BOLLY® 1 WB CLASSE A

Model	HARD FOAM insulation Art. Nr.	HEAT EXCHANGER SURFACE [m <sup>2</sup> ]	ENERGY EFFICIENCY CLASS
200	3104162330002	0,8	A
300	3104162330003	1,2	A
500	3104162330005	1,8	A



### ELECTRICAL IMMERSION HEATERS

Model	Volume of water heated by the electrical immersion [lt]
200	72
300	113
500	184

MONOPHASE		
1,5 kW	2 kW	3 kW
5240000000051	5240000000052	5240000000053
Ignition time from 10 °C to 45 °C with immersion heaters [min]		
128	96	64
202	152	101
329	247	165

### Accessories on request

#### "Easy Control" Electronic Display

ART. NR.	FOR MODELS
5005000310003	WB



#### Thermometer

Art. Nr.
5032240000107
5 units box



#### Titanium electronic anode

See Accessories section

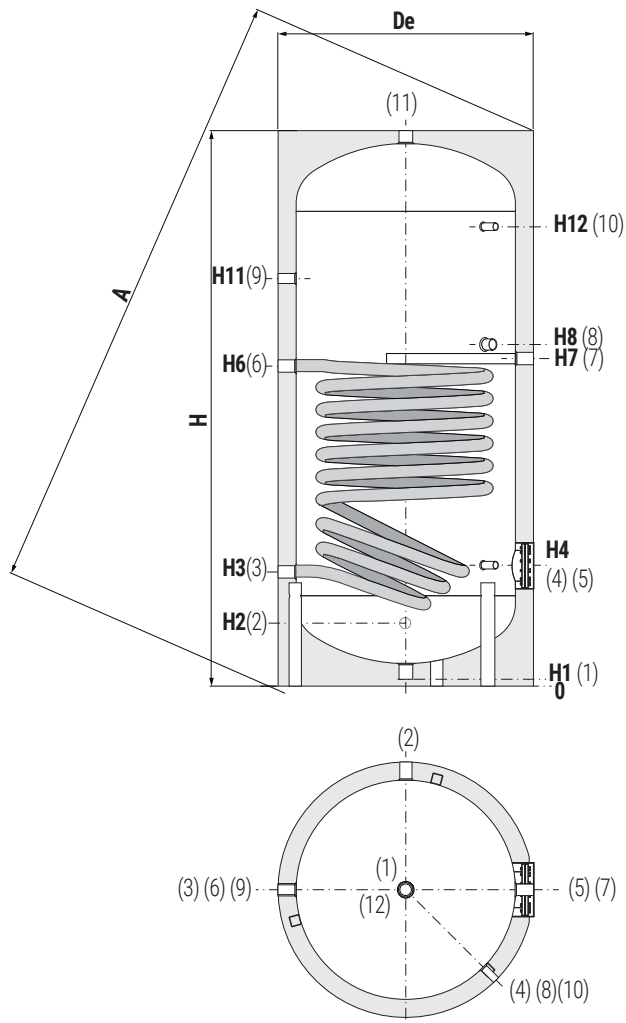
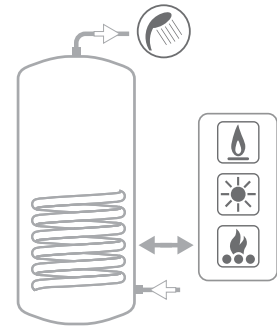


# BOLLY® 1 CLASSE A

POLYWARM® COATED DOMESTIC HOT WATER CALORIFIER WITH 1 FIXED HEAT EXCHANGER

STORAGE		HEAT EXCHANGER	
Pmax	Tmax	Pmax	Tmax
10 bar	90 °C	12 bar	110 °C

**CORDIVARI Lab**  
TÜV Rheinland Energie und Umwelt GmbH states that test procedures and Cordivari LAB are certified conforming to European standard EN 15332, as indicated by Ecodesign ErP Directive.



1	Drain
2	Domestic cold water circuit inlet
3	Primary circuit outlet 1" 1/4 F
4-10	Connection for instrumentation 1/2" F
5	Blind flange for inspection (Ø1 70 mm)
6	Primary circuit inlet 1" 1/4 F
7	Connection for magnesium anode 1" 1/4 F
8	Connection for electrical immersion 1" 1/2 F
9	Recirculation
11	Domestic hot water outlet 1" 1/4 F

Model	Volume	Weight	De	H	A	H1	H2	H3	H4	H6	H7	H8	H11	H12	Connections Gas F		
	[litres]	[Kg]													1	2	9
<b>200</b>	189	62	650	1484	1620	70	220	285	325	811	855	915	1089	1195	1" 1/4	3/4"	3/4"
<b>300</b>	291	76	750	1536	1709	70	246	311	381	832	871	931	1101	1221	1" 1/4	1"	1"
<b>500</b>	498	138	1000	1911	2157	70	271	346	411	1036	1076	1144	1331	1476	1" 1/4	1"	1"

P.E.D. product designed and produced in conformity to the article 4.3 of directive 2014/68/UE - ErP Ecodesign directive 2009/125/CE

EXTRA-BOLLY® CALORIFIERS  
BOLLYTERM® CALORIFIERS  
STAINLESS STEEL CALORIFIERS  
CALORIFIERS FOR HEAT PUMP  
MULTIFUEL ENERGY CYLINDERS - PUFFER  
HYDRONIC  
INERTIAL TANKS  
WATER PRESSURE TANKS  
COMPRESSED AIR RECEIVERS  
ACCESSORIES AND SPARE PARTS  
TECHNICAL SUPPORT