



# ELEN 18 WIDE

## POLISHED STAINLESS STEEL

### MATERIAL:

- Vertical collectors in polished stainless steel da  $\varnothing$  38 mm.
- Horizontal elements in polished stainless steel  $\varnothing$  18 mm.

### FIXING KIT:

Brackets, airvent, hexagonal tool, plugs and screws for mounting suitable for use on compact or hollow brick, user notice.

The kit is certified from TÜV in compliance with VDI 6036-class 4.

### PACKAGING:

Carton angular and profiles protected by a recyclable film in polyethylene. User notice included.

### FEATURES:

It is totally made in stainless steel with an unalterable finishing guaranteed during the years.

### ACCESSORIES:

See Accessories chapter

Functioning:	<input checked="" type="checkbox"/> Hot water	<input checked="" type="checkbox"/> Dual energy
--------------	---	---

P. Max: 8 bar	Functioning: hot water	T. Max: 110° C	Connections: 2 x 1/2" gas - 1 x 1/2" gas for airvent
---------------	------------------------	----------------	--

## CERTIFICATIONS



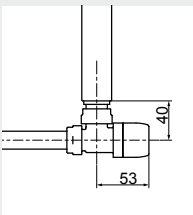
## ACCESSORIES



### Kristal valve square with thermostatic option-chromed

Copper conn.  $\varnothing$  12/14/15  
Art. nr. 5991990311165

Multilayer conn.  $\varnothing$  16  
Art. nr. 5991990311166



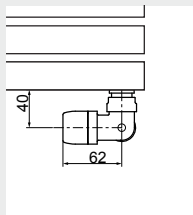
Quotes for square Kristal valves with thermostatic option



### Kristal corner valve with thermostatic option-chromed

Copper conn.  $\varnothing$  12/14/15  
Art. nr. 5991990301148

Multilayer conn.  $\varnothing$  16  
Art. nr. 5991990301147

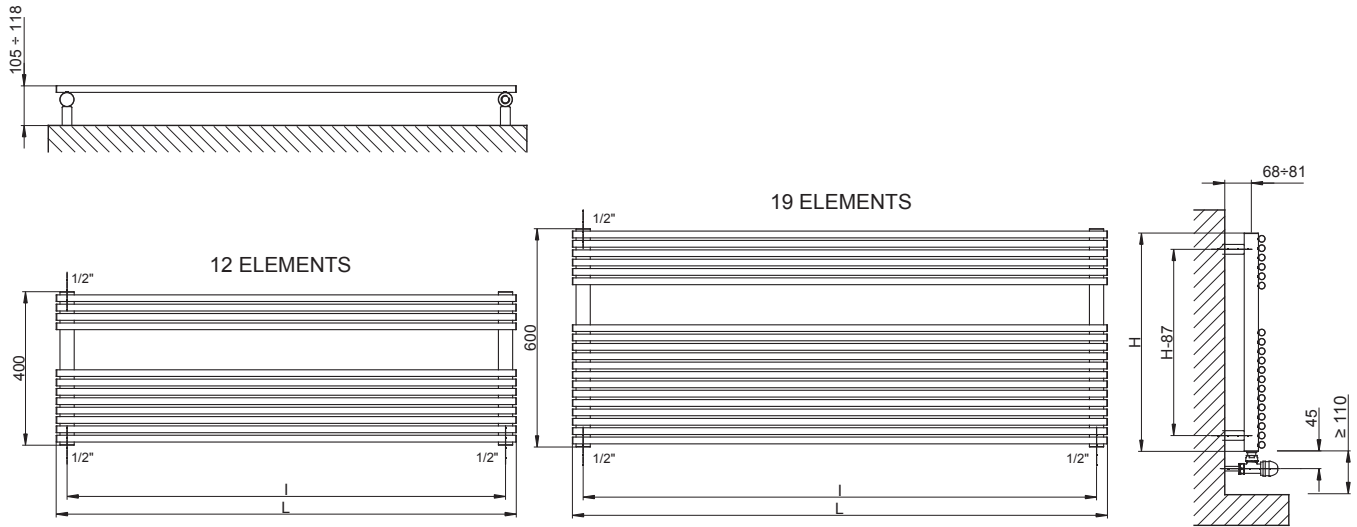


Quotes for corner Kristal valves with thermostatic option



### Kit 2 hooks-polished stainless steel

Art. nr. 5991990010216



Quotes for Kristal valves

ELEN 18 WIDE POLISHED STAINLESS STEEL

Height [mm]	WIDTH L [mm]	Pipe Centres l [mm]	Art. nr.	Dry Weight [Kg]	Surface [m <sup>2</sup> ]	Water content [lt]	Thermal output [Watt]		Exp. n	Dual energy kit [Watt]
							Δt=50°C	Δt=30°C		
<b>400</b>	1228	1170	3551440130201	8,4	0,9	3,6	460	249	1,2050	300
	1428	1370	3551440130202	9,2	1,06	4,1	535	289	1,2050	300
<b>600</b>	1228	1170	3551440130203	12,3	1,45	5,7	706	382	1,2010	700
	1428	1370	3551440130204	14,8	1,67	6,3	822	445	1,2010	700

For output at different Δt than 50°C, please refer to the following formula: desired output = output at Δt 50°C x (desired Δt/50)<sup>n</sup>